

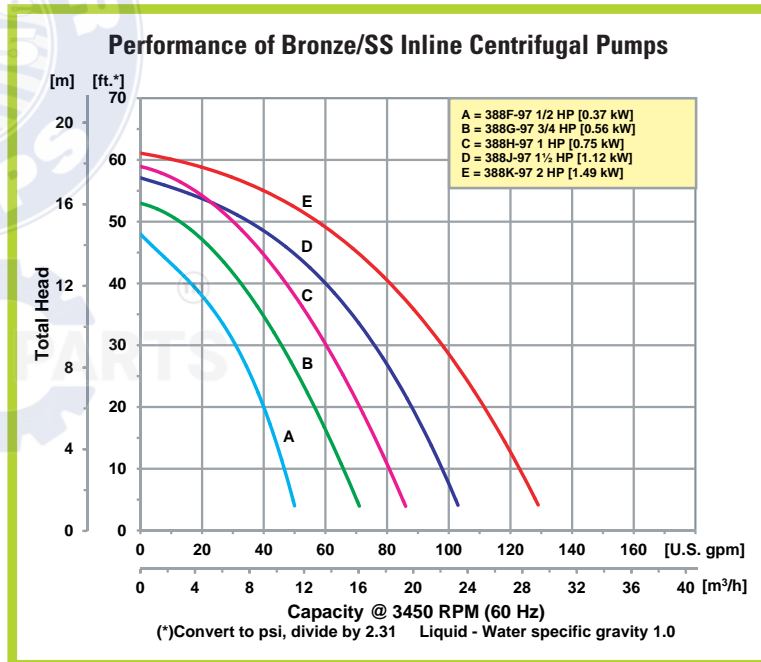
1-1/2" Bronze/ Stainless Steel Centrifugal Pumps

- **Bronze or SS Construction**
- **Buna-N Mechanical Seal and O-Ring**
- **Maximum Working Pressure 75 PSI**
- **Maximum Temperature 180° F**
- **Maximum Flow 130 GPM**
- **Maximum Head 62 Ft.**
- **Self-Cleaning, 1/8" Diameter Solids Handling Stainless Steel Impeller**
- **1/2 to 2 HP Totally Enclosed Fan Cooled (TEFC) Single Phase Motor**



Model 388G-97

AMT Bronze/SS Centrifugal pumps are designed for use with most gravity fed service applications requiring chemical processing and dirty water transfer. All models are fitted with a self-cleaning stainless steel impeller for maximum 1/8" diameter solids handling. Pumps are designed to handle liquids with solids content or dissolved solids and debris. Units feature pull-from-rear design for easy servicing without removing piping. **Pumps are not self-priming and require flooded suction.**



400 Spring Street • Royersford, PA 19468 USA

www.amtpump.com • 888-amt-pump (268-7867)

For use with nonflammable liquids compatible with pump component materials. Viton® and Teflon® are registered trademarks of E. I. DuPont.

STE-5

North America: 866 777 6060
Int'l: +1 267 404 2910

Springer Pumps
Springer Parts

www.springerpumps.com
www.springerparts.com



Bronze/Stainless Steel Centrifugal Pumps

Pump Dimensional & Specification Data

| Model | Curve | HP | PH | ENC | Voltage @ 60 Hz | Full Load Amps | SUC* | DIS* | L** | W** | H | Ship Wt. (Lbs.) |
|-------|-------|-----|----|------|-----------------|----------------|------|------|-------------|------------|------------|-----------------|
| 388F | A | 1/2 | 1 | TEFC | 115/230 | 8/4 | 1½ | 1½ | 13.0 [33.0] | 8.9 [22.6] | 8.7 [22.0] | 41 |
| 388G | B | 3/4 | 1 | TEFC | 115/230 | 10/5 | 1½ | 1½ | 13.5 [34.3] | 8.9 [22.6] | 8.7 [22.0] | 47 |
| 388H | C | 1 | 1 | TEFC | 115/230 | 13/7 | 1½ | 1½ | 13.7 [34.8] | 8.9 [22.6] | 8.7 [22.0] | 47 |
| 388J | D | 1½ | 1 | TEFC | 115/230 | 16/8 | 1½ | 1½ | 14.2 [36.0] | 8.9 [22.6] | 8.7 [22.0] | 51 |
| 388K | E | 2 | 1 | TEFC | 115/230 | 17/9 | 1½ | 1½ | 15.0 [38.1] | 8.9 [22.6] | 8.7 [22.0] | 53 |

(*) Standard NPT (Female) pipe thread.

(**) This dimension may vary due to motor manufacturer's specifications.

NOTE: Dimensions are in inches (centimeters) and have a tolerance of ± 1/4".

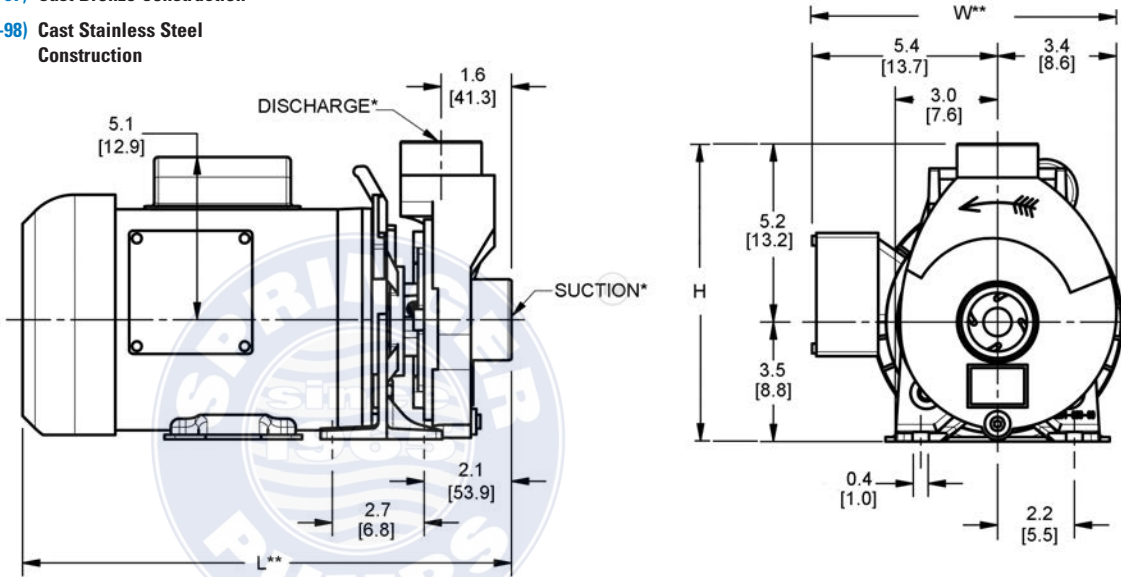
NOTE: Electric supply for ALL motors must be within ± 10% of nameplate voltage rating (e.g 230V ± 10%=207 to 253)

Maximum Solids Handling Capacity: 1/8" Diameter

‡ When Ordering, Add the Correct (-9X) Suffix to Model Number Indicating Material Selection (Ex. 388F-98)

XB (-97) Cast Bronze Construction

XSS (-98) Cast Stainless Steel Construction



Standard Features

- Bronze or SS Construction
- Buna-N Mechanical Seal and O-Ring
- 1-1/2" x 1-1/2" NPT Thread
- Maximum Working Pressure 75 PSI
- Maximum Temperature 180° F
- Maximum Head 62 Ft.
- Self-cleaning Stainless Steel Impeller
- 1/2 to 2 HP Totally Enclosed Fan Cooled (TEFC) Single Phase Motors
- Pull-from-Rear Design for Easy Servicing Without Removing Piping
- Maximum 1/8" Diameter Solids Handling

Hazardous Duty/Explosion Proof motors available from stock ranging from 1 to 10 HP; CALL FOR QUOTATION & LEAD TIME!



A Gorman-Rupp Company

Manufacturer of AMT & IPT Pumps

400 Spring Street • Royersford, PA 19468 USA

www.amtpump.com • 888-amt-pump (268-7867)

The Gorman-Rupp Company reserves the right to discontinue any model or change specifications at any time without incurring any obligation.

©2022 AMT Pump Company. All rights reserved.



GORMAN-RUPP®

1222

STE-6

North America: 866 777 6060
Int'l: +1 267 404 2910

Springer Pumps
Springer Parts

www.springerpumps.com
www.springerparts.com