

HIGH EFFICIENCY VERTICAL MULTISTAGE CENTRIFUGAL PUMP

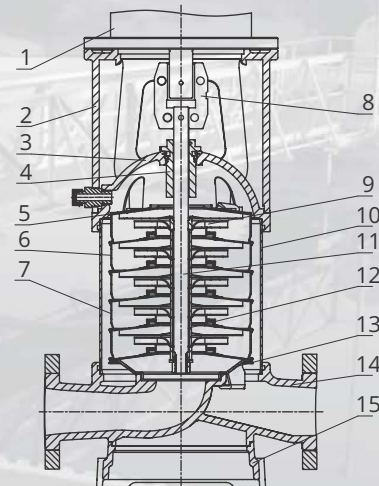
Series: **HMV70-40-1003**
10 HP



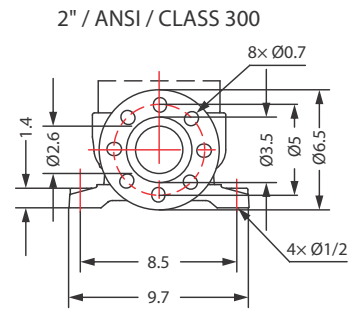
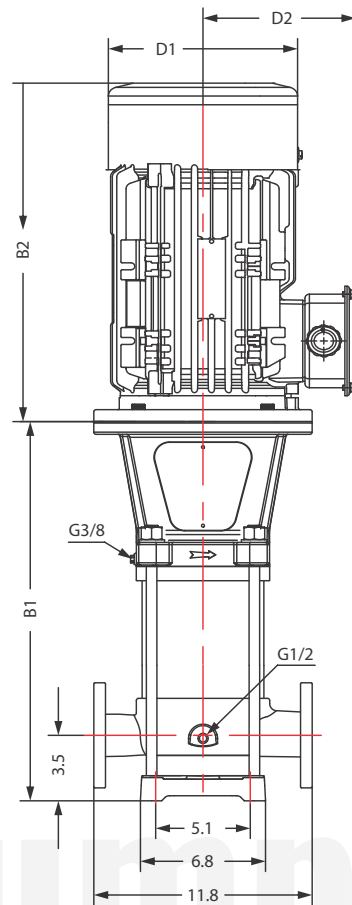
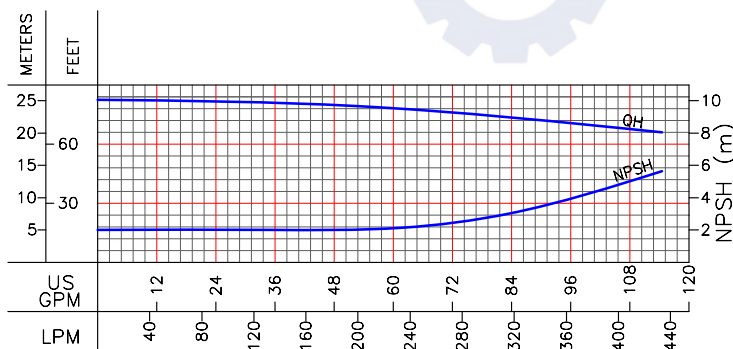
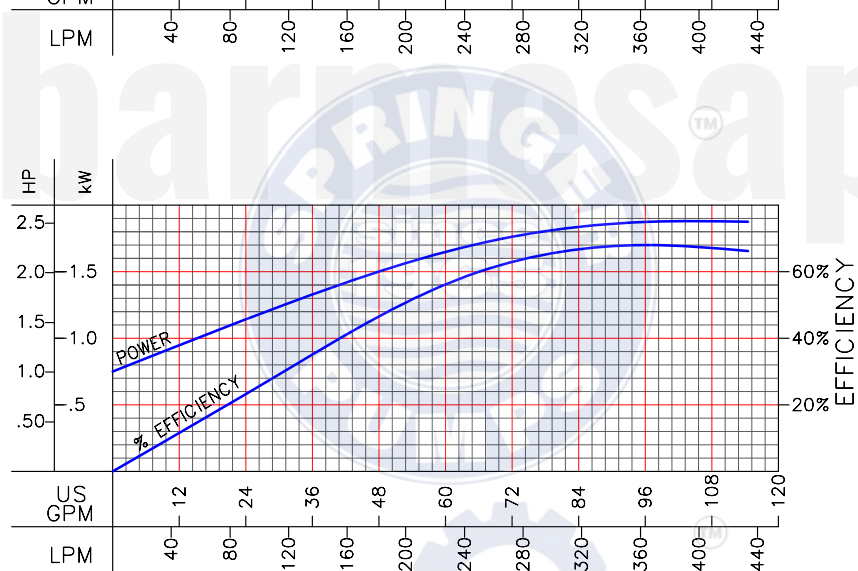
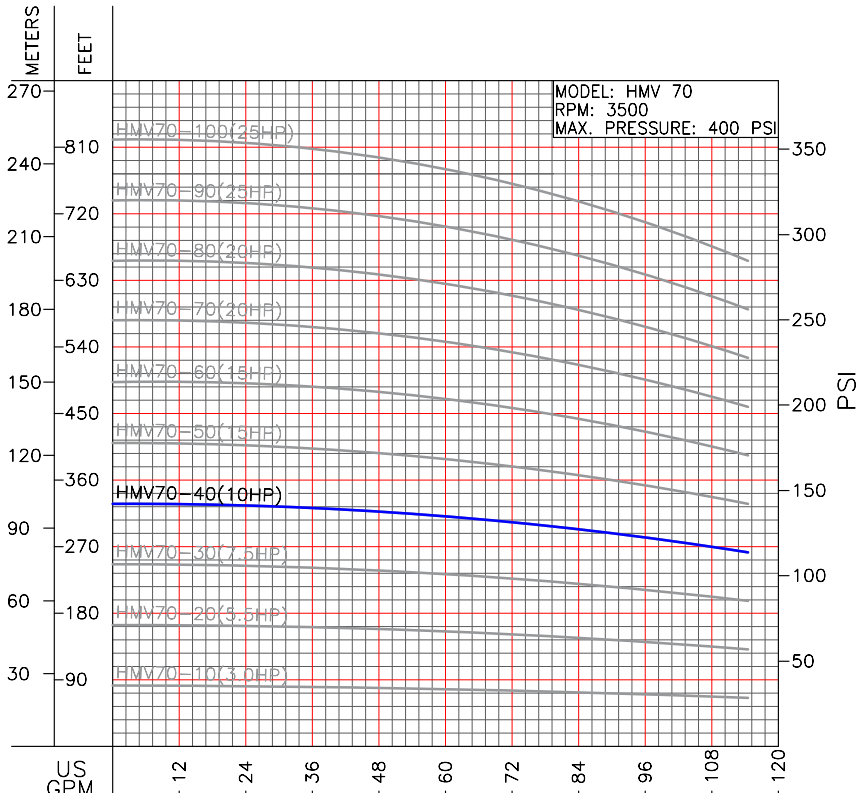
* Representative image

| TECHNICAL DATA | | | | | | | | | |
|----------------|-----------|-----|------|---------|-----------|-----------------|--------------|-------------|--|
| MODEL | PART No. | HP | RPM | V | MAX. AMPS | MAX. TEMP. (°F) | MAX. Q (gpm) | MAX. H (ft) | |
| HMV70-10-303 | 70120109A | 3 | 3500 | 230/460 | 7.9/3.9 | 248 | 102 | 82 | |
| HMV70-20-553 | 70120109B | 5.5 | 3500 | 230/460 | 13.5/6.7 | 248 | 102 | 164 | |
| HMV70-30-753 | 70120109C | 7.5 | 3500 | 230/460 | 18.3/9.1 | 248 | 102 | 246 | |
| HMV70-40-1003 | 70120109D | 10 | 3500 | 230/460 | 24.7/12.3 | 248 | 102 | 327 | |
| HMV70-50-1503 | 70120109L | 15 | 3500 | 230/460 | 34/17 | 248 | 102 | 409 | |
| HMV70-60-1503 | 70120109E | 15 | 3500 | 230/460 | 34/17 | 248 | 102 | 492 | |
| HMV70-70-2003 | 70120109N | 20 | 3500 | 230/460 | 46/23 | 248 | 102 | 573 | |
| HMV70-80-2003 | 70120109F | 20 | 3500 | 230/460 | 46/23 | 248 | 102 | 656 | |
| HMV70-90-2503 | 70120109P | 25 | 3500 | 230/460 | 56.5/28.2 | 248 | 102 | 738 | |
| HMV70-100-2503 | 70120109G | 25 | 3500 | 230/460 | 56.5/28.2 | 248 | 102 | 820 | |

| ITEM | NAME | MATERIAL | AISI/ASTM |
|------|------------------------|-------------------|--------------------|
| 1 | Motor | - | - |
| 2 | Bracket | Ductile cast iron | ASTM A536 65-45-12 |
| 3 | Seal base | Stainless steel | AISI 304 |
| 4 | Mechanical seal | SiC/Carbon | - |
| 5 | Top diffuser | Stainless steel | AISI 304 |
| 6 | Diffuser | Stainless steel | AISI 304 |
| 7 | Support diffuser | Stainless steel | AISI 304 |
| 8 | Coupling | Ductile iron | ASTM A536 65-45-12 |
| 9 | Impeller | Stainless steel | AISI 304 |
| 10 | Cylinder | Stainless steel | AISI 304 |
| 11 | Shaft | Stainless steel | AISI 304 |
| 12 | Bearing | Tungsten carbide | - |
| 13 | Inducer | Stainless steel | AISI 304 |
| 14 | Inlet & outlet chamber | Stainless steel | AISI 304 |
| 15 | Base | Cast iron | ASTM 25B |



Last update: 03/21/2023



| MODEL | HP | STAGES | SIZE (in) | | | | WEIGHT (lb) | |
|----------------|-----|--------|-----------|----|-------|----|-------------|-----|
| | | | B1 | B2 | B1+B2 | D1 | | D2 |
| HMV70-10-303 | 3 | 1 | 14 | 14 | 28 | 7 | 6 | 68 |
| HMV70-20-553 | 5.5 | 2 | 16 | 16 | 32 | 9 | 7 | 106 |
| HMV70-30-753 | 7.5 | 3 | 19 | 18 | 37 | 10 | 8 | 159 |
| HMV70-40-1003 | 10 | 4 | 21 | 18 | 39 | 10 | 8 | 181 |
| HMV70-50-1503 | 15 | 5 | 26 | 24 | 50 | 14 | 10 | 331 |
| HMV70-60-1503 | 15 | 6 | 28 | 24 | 52 | 14 | 10 | 335 |
| HMV70-70-2003 | 20 | 7 | 29 | 24 | 53 | 14 | 10 | 364 |
| HMV70-80-2003 | 20 | 8 | 31 | 24 | 55 | 14 | 10 | 366 |
| HMV70-90-2503 | 25 | 9 | 33 | 25 | 58 | 14 | 10 | 403 |
| HMV70-100-2503 | 25 | 10 | 35 | 25 | 60 | 14 | 10 | 406 |