



SUBMERSIBLE SOLIDS HANDLING PUMP

Series: 2BSE411 & 2BSE511
0.4 & 0.5 HP / 1750 RPM
Discharge: 2"
Spherical solids handling: 2"



DISCHARGE

2" NPT, female, vertical.

LIQUID TEMPERATURE

104°F (40°C) continuous

VOLUTE

Cast iron ASTM A-48 class 30

MOTOR HOUSING

Cast iron ASTM A-48 class 30

SEAL PLATE

Cast iron ASTM A-48 class 30

IMPELLER

Design: open, double vane.

Material: cast iron ASTM A-48 class 30, dynamically balanced, ISO G6.3

SHAFT

416 series stainless steel

O-RINGS

Square shaped Buna-N

PAINT

Air dry enamel, water based.

SEAL

Design: single, mechanical, oil filled chamber.

Material: silicon carbide, Buna-N elastomer and stainless steel hardware.

HARDWARE

300 series stainless steel

CORD ENTRY

30 ft of neoprene cord SJTOW 14/3, sealed against moisture.

BEARINGS

Upper: ball, single row, oil lubricated, for radial load.

Lower: ball, single row, oil lubricated, for radial and thrust load.

MOTOR

NEMA L, single phase, permanent split capacitor, 115 & 230 volts, 60 Hz, 1750 RPM, oil filled, with overload protection in motor.

PUMP OPERATION

Manual or automatic float switch

OPTIONAL EQUIPMENT

Slide rail coupling (SRC-2)

Last update: JUL/11/2023

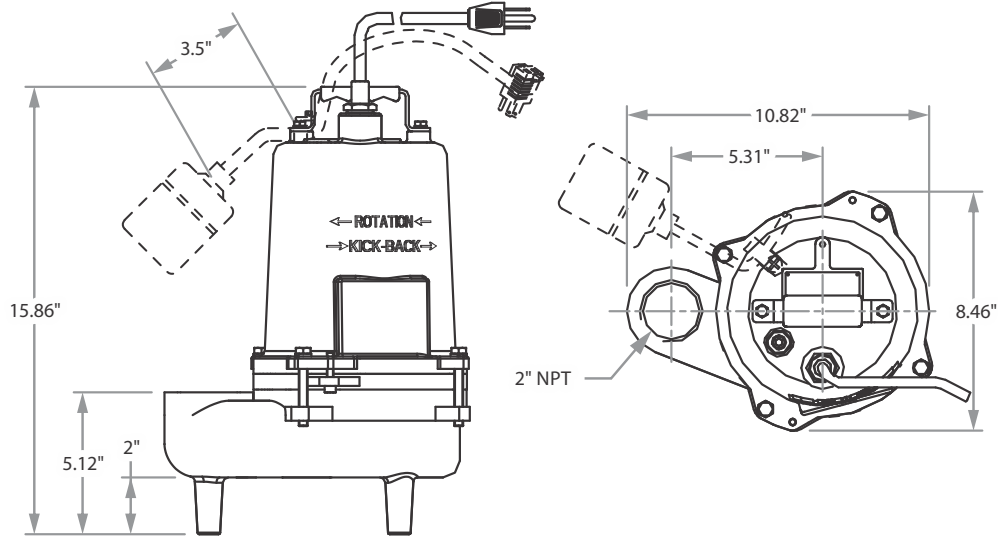
North America: 866 777 6060
Int'l: +1 267 404 2910

Springer Pumps
Springer Parts

www.springerpumps.com
www.springerparts.com

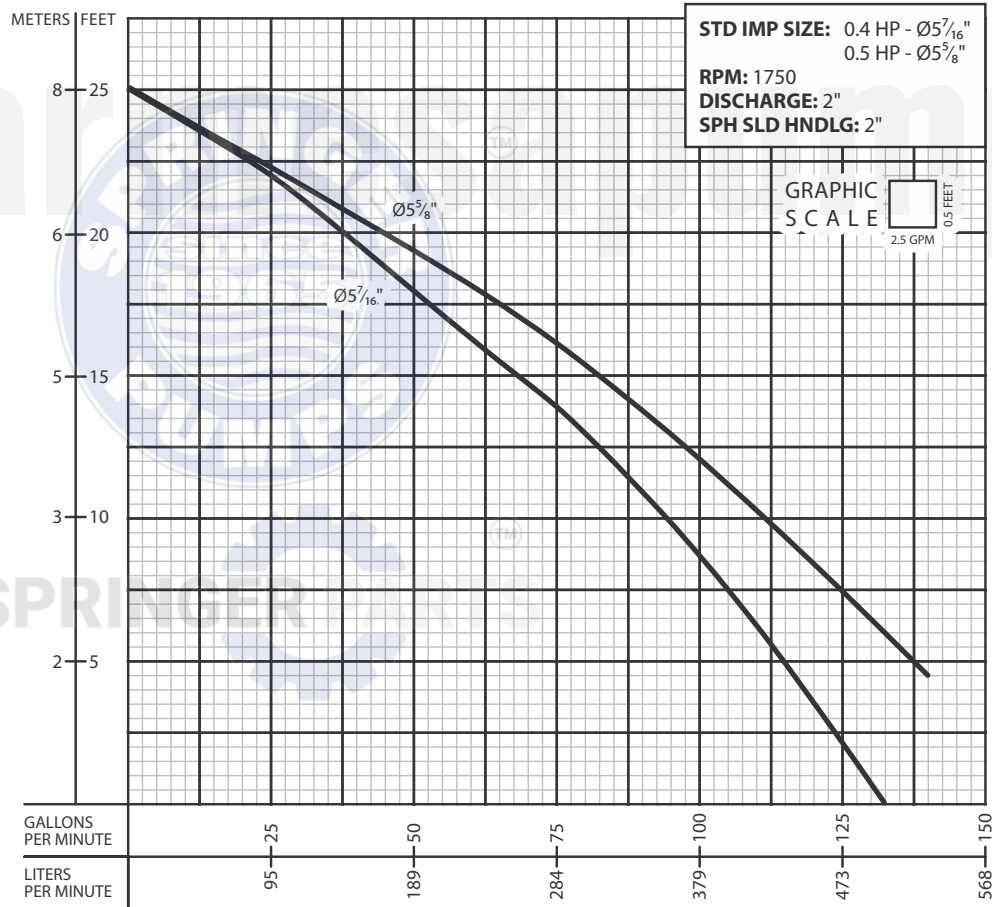
TECHNICAL DATA SHEET

SPECIFICATIONS



MODEL	PART No.	HP	VOLTS	PHASE	RPM (Nominal)	MAX AMPS	LOCKED ROTOR AMPS	CORD SIZE	CORD TYPE	WEIGHT (pounds)
2BSE411	62180401	0.4	115	1	1750	12	22.5	14/3	SJTOW	53
2BSE411A	62180402	0.4	115	1	1750	12	22.5	14/3	SJTOW	55
2BSE421	62180403	0.4	230	1	1750	6.1	9.3	14/3	SJTOW	53
2BSE511A	62180404	0.5	115	1	1750	12	22.5	14/3	SJTOW	55

A = Automatic Float Switch.



IMPORTANT!

1. Never use this pump to handle explosive liquids.
2. This pump is not approved to be used in swimming pools, recreational installations or any application where human contact may be common.
3. Pump may be operated "dry" for extended periods without damage to motor and/or seals.
4. Testing is performed with water specific gravity of 1.0 @ 68 °F (20 °C); other fluids may vary performance.

North America: 866 777 6060
Int'l: +1 267 404 2910

Springer Pumps
Springer Parts

barmesapumps.com/US
www.springerpumps.com
www.springerparts.com