



# SUBMERSIBLE EFFLUENT PUMP

Series: BPSTEP  
0.5 & 1 HP / 3500 RPM  
Discharge: 2"  
Spherical solids handling: 3/4"



**DISCHARGE**  
2" NPT, vertical.

**LIQUID TEMPERATURE**  
104°F (40°C) continuous

**VOLUTE**  
Cast iron ASTM A-48 class 30

**MOTOR HOUSING**  
Cast iron ASTM A-48 class 30

**SEAL PLATE**  
Cast iron ASTM A-48 class 30

**IMPELLER**  
*Design:* single vane enclosed.  
*Material:* polypropylene with stainless steel insert.

**SHAFT**  
Stainless steel

**O-RINGS**  
Square shaped Buna-N

**PAINT**  
Air dry enamel, water based.

**SEAL**  
*Design:* outboard single mechanical, oil filled chamber.  
*Material:* carbon / ceramic / Buna-N, with stainless steel hardware.

**HARDWARE**  
300 series stainless steel

**CORD ENTRY**  
30 ft of neoprene cord, sealed against moisture.

**BEARINGS**  
Ball, single row, oil lubricated.

**MOTOR**  
NEMA L, single phase, permanent split capacitor, 115 & 230 volts, 60 Hz, 3500 RPM, oil filled, class B insulation, with overload protection in motor.

**OPTIONAL EQUIPMENT**  
Additional cord, seal material, impeller trims, slide rail coupling (SRC-2).

Last update: JUL/11/2022

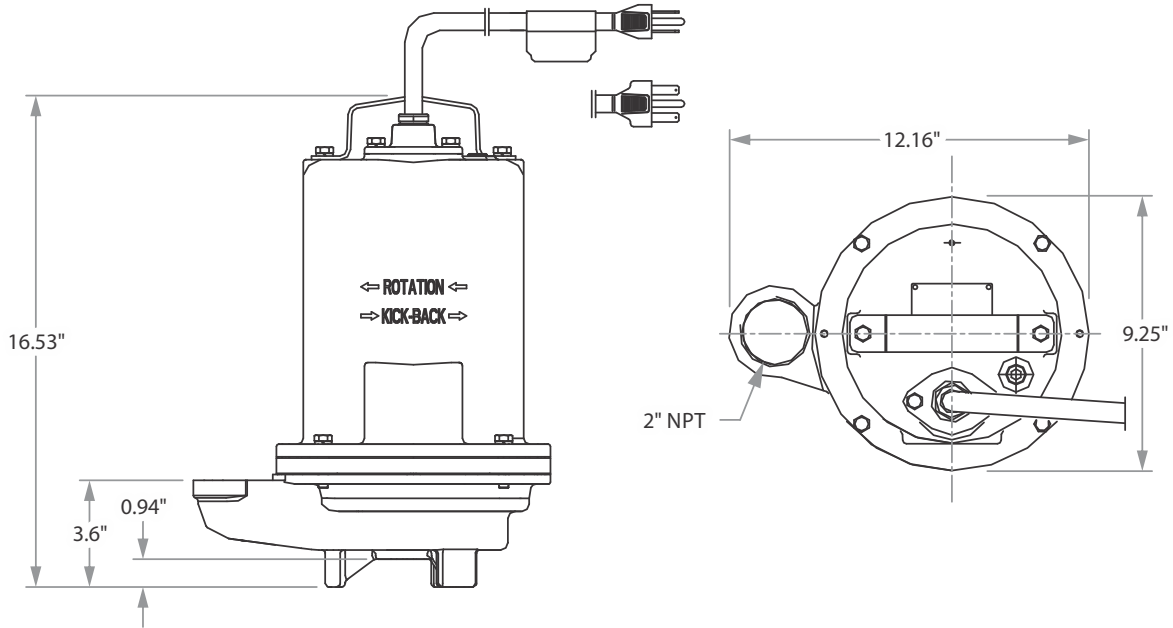
North America: 866 777 6060  
Int'l: +1 267 404 2910

Springer Pumps  
Springer Parts

[www.springerpumps.com](http://www.springerpumps.com)  
[www.springerparts.com](http://www.springerparts.com)

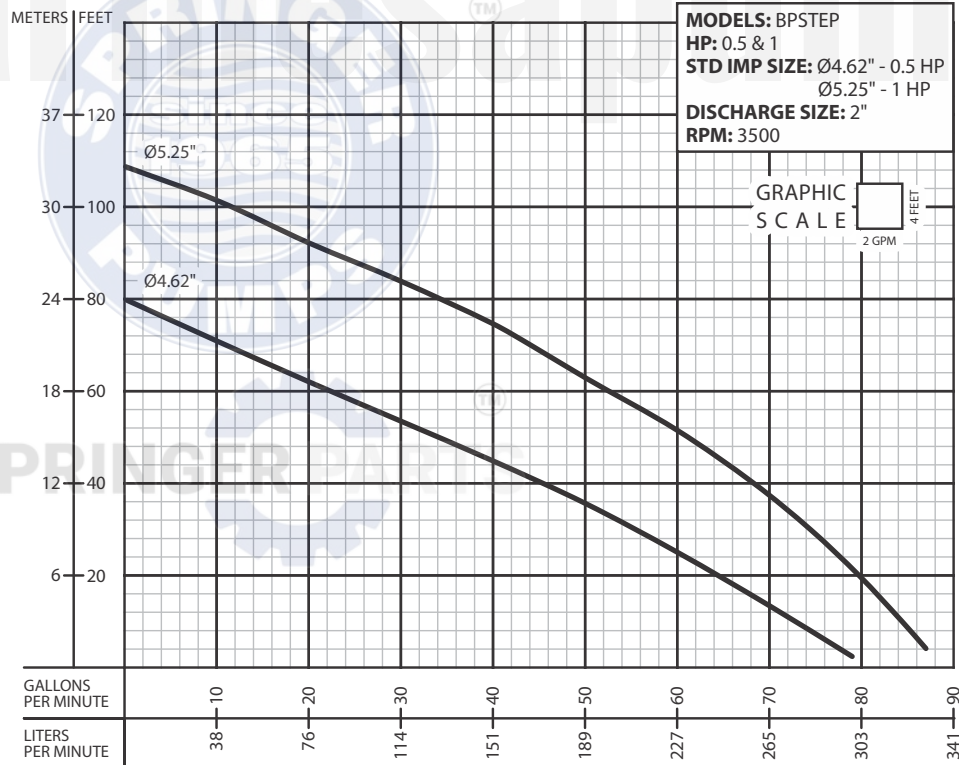
TECHNICAL DATA SHEET

SPECIFICATIONS



MODEL	PART No.	HP	VOLTS	PHASE	RPM (Nominal)	MAX AMPS	LOCKED ROTOR AMPS	NEMA CODE	CORD SIZE	CORD TYPE	WEIGHT (pounds)
BPSTEP512	62180203	0.5	115	1	3500	13.1	26.2	G	14/3	SOW	80
BPSTEP512A	62180204	0.5	115	1	3500	13.1	26.2	G	14/3	SOW	80
BPSTEP522	62180205	0.5	230	1	3500	5.6	13.2	E	14/3	SOW	80
BPSTEP1022	62180206	1	230	1	3500	9.1	23.5	f	14/3	SOW	80

A = Automatic Float Switch.



**IMPORTANT!**

1. Never use this pump to handle explosive liquids.
2. This pump is not approved to be used in swimming pools, recreational installations or any application where human contact may be common.
3. Pump may be operated "dry" for extended periods without damage to motor and/or seals.
4. Testing is performed with water specific gravity of 1.0 @ 68 °F (20 °C); other fluids may vary performance.

North America: 866 777 6060  
 Int'l: +1 267 404 2910

Springer Pumps  
 Springer Parts

[barmesapumps.com/US](http://barmesapumps.com/US)  
[www.springerpumps.com](http://www.springerpumps.com)  
[www.springerparts.com](http://www.springerparts.com)