

# SELF-PRIMING CLOSE COUPLED PUMPS

Series: BSP15CCE  
7.5 HP / 3500 RPM  
Suction & Discharge: 3"  
Spherical solids handling: 3/4"



Approved for Marine use and  
Commercial / Industrial applications.

## SUCTION/DISCHARGE

3" NPT, female.

## LIQUID TEMPERATURE

**Continuous:** 160 °F (71 °C)

## INTERMEDIATE

Cast iron ASTM A-48 class 30

## VOLUTE

Cast iron ASTM A-48 class 30

## BODY

Cast iron ASTM A-48 class 30

## BASE

Steel

## IMPELLER

**Design:** open, trash type, dynamically balanced.

**Material:** cast iron ASTM A-48, class 30.

## SHAFT

1035 cold rolled steel

## SHAFT SLEEVE

Bronze

## HARDWARE

Steel & stainless steel

## SQUARE RING

Buna-N

## PAINT

Air dry enamel, water based.

## SEAL

**Design:** mechanical, self lubrication.

**Material:** ceramic stationary part, carbon ring seal and exclusion in the rotating part. Buna-N elastomer and stainless steel spring.

## CHECK VALVE

**Valve:** flap-neoprene

**Weight:** steel

## MOTOR

**Open Drip Proof** or **TEFC**, C-face, footed, squirrel cage induction, class B or F insulation.

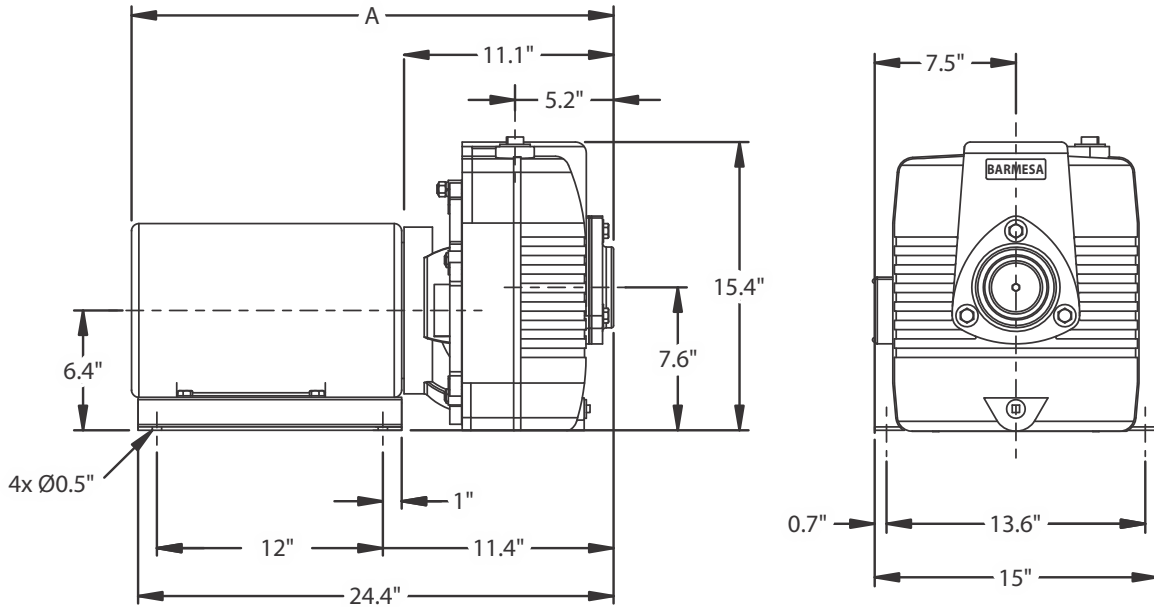
**Three phase:** 230/460 volts, 60 Hz, 3500 RPM

## OPTIONAL

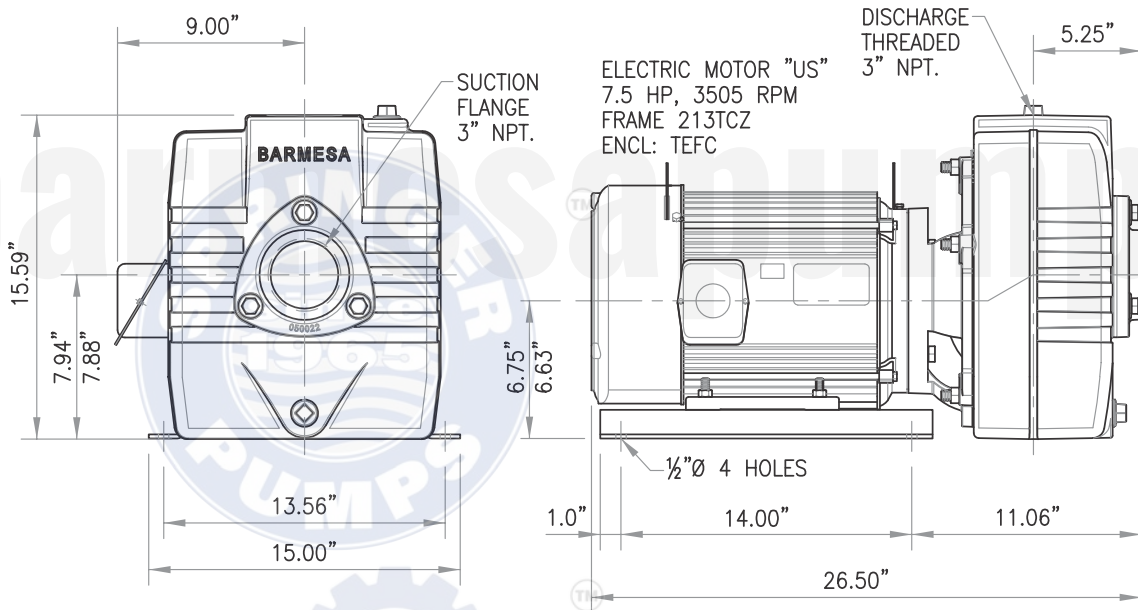
Bronze fitted volute and impeller

Last update: JUL/11/2023

**ODP ENCLOSURE**



**TEFC ENCLOSURE**



DIMENSIONS: INCHES  
OVERALL DIMENSIONS SUBJECT TO MOTOR MANUFACTURER.

MODEL	PART No.	HP	PHASE	VOLTS	ENCLOSURE	MAX AMPS	A (inches)	WEIGHT (pounds)
BSP15CCE3	62030009	7.5	3	230/460	ODP	18.8-17.4/8.7	23.22	248
BSP15CCE3-BF	62030110	7.5	3	230/460	ODP	18.8-17.4/8.7	23.22	248
BSP15CCE3-T	62030029	7.5	3	230/460	TEFC	18.5-17.4/8.7	26.28	251
BSP15CCE3-TBF	62030130	7.5	3	230/460	TEFC	18.5-17.4/8.7	26.28	251

T = totally enclosed BF = bronze fitted TB = totally enclosed bronze fitted  
\* Overall length of unit and amps is subject to the motor manufacture.

**IMPORTANT!**

1. Never use this pump to handle explosive liquids.
2. This pump is not approved to be used in swimming pools, recreational installations or any application where human contact may be common.

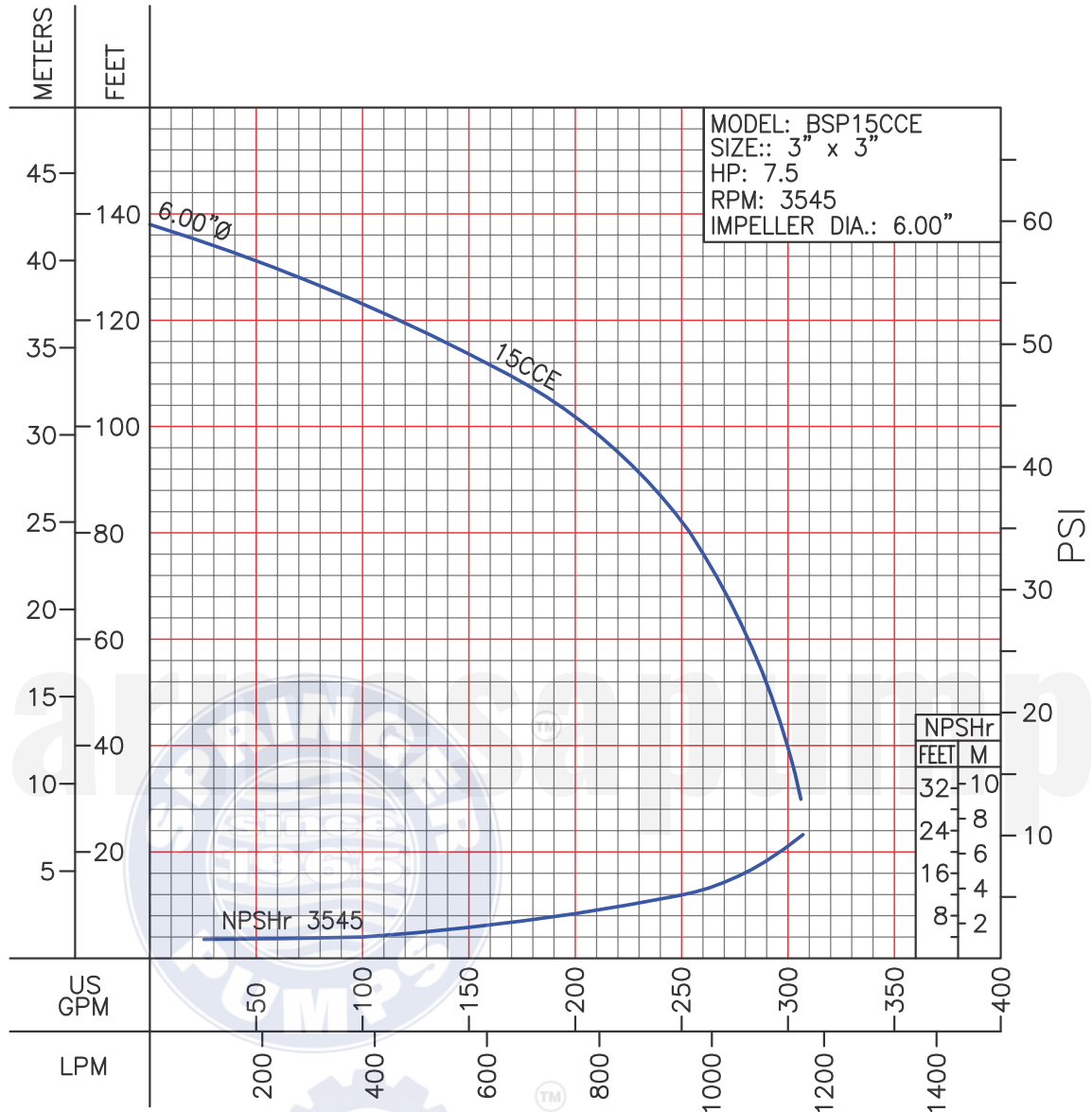
[barmesapumps.com/US](http://barmesapumps.com/US)

North America: 866 777 6060  
Int'l: +1 267 404 2910

Springer Pumps  
Springer Parts

[www.springerpumps.com](http://www.springerpumps.com)  
[www.springerparts.com](http://www.springerparts.com)

PERFORMANCE CURVES



\*BSPCCE series pumps are approved for Marine use and Commercial / Industrial applications.

**IMPORTANT!**

1. Testing is performed with water specific gravity of 1.0 @ 68°F (20°C); other fluids may vary performance.

North America: 866 777 6060  
 Int'l: +1 267 404 2910

Springer Pumps  
 Springer Parts

[barmesapumps.com/US](http://barmesapumps.com/US)  
[www.springerpumps.com](http://www.springerpumps.com)  
[www.springerparts.com](http://www.springerparts.com)