

SELF-PRIMING CLOSE COUPLED PUMPS

Series: BSP25CCE
15 HP / 3500 RPM
Suction & Discharge: 3"
Spherical solids handling: 3/4"



Approved for Marine use and
Commercial / Industrial applications.

SUCTION/DISCHARGE

3" NPT, female.

LIQUID TEMPERATURE

Continuous: 160 °F (71 °C)

INTERMEDIATE

Cast iron ASTM A-48 class 30

VOLUTE

Cast iron ASTM A-48 class 30

BODY

Cast iron ASTM A-48 class 30

BASE

Steel

IMPELLER

Design: open, trash type, dynamically balanced.

Material: cast iron ASTM A-48 class 30

SHAFT

1035 cold rolled steel

SHAFT SLEEVE

Bronze

HARDWARE

Steel & stainless steel

SQUARE RING

Buna-N

PAINT

Air dry enamel, water based.

SEAL

Design: mechanical, self lubrication.

Material: ceramic stationary part, carbon ring seal and exclusion in the rotating part. Buna-N elastomer and stainless steel spring.

CHECK VALVE

Valve: flap-neoprene

Weight: steel

MOTOR

Open Drip Proof or **TEFC**, C-face, footed, squirrel cage induction, class B or F insulation.

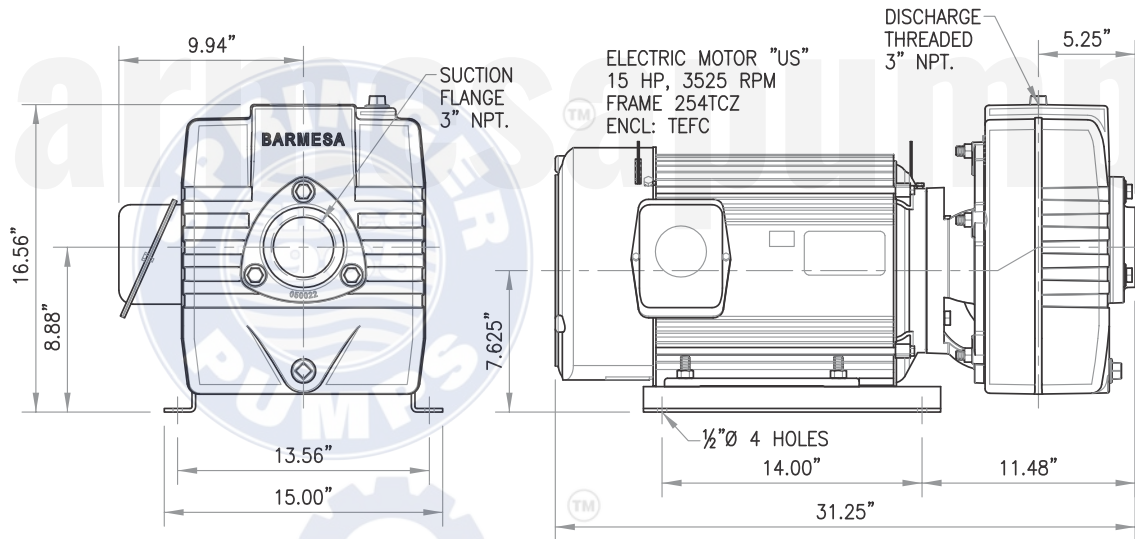
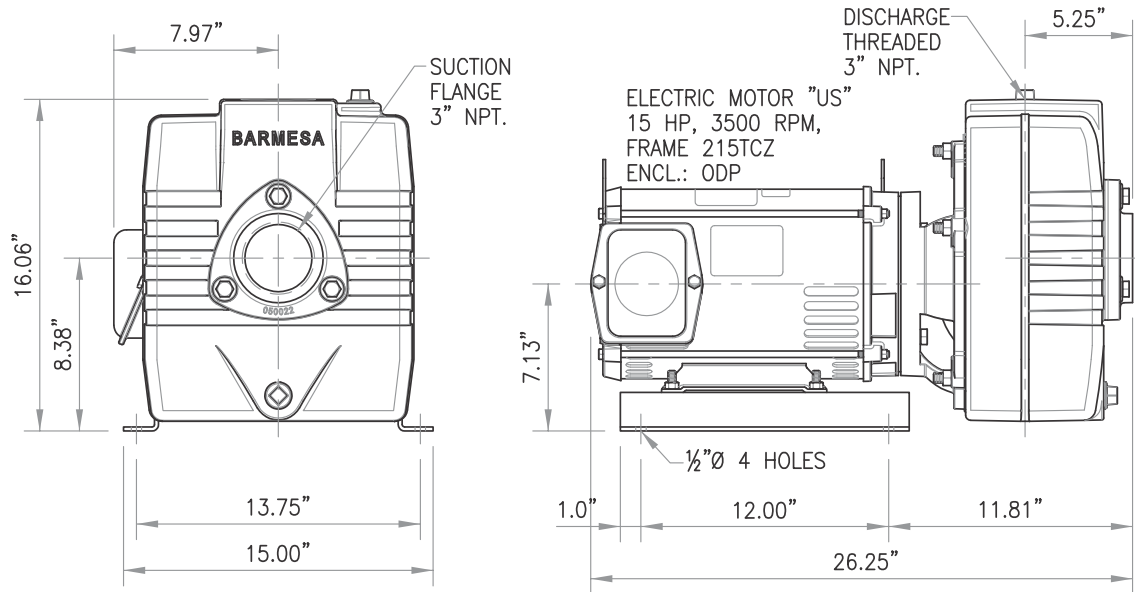
Three phase: 230/460 volts, 60 Hz, 3500 RPM

OPTIONAL

Bronze fitted volute and impeller

Last update: JUL/11/2023

DIMENSIONAL DRAWING SELF PRIMING PUMP BSP25CCE



barmesapumps.com
SPRINGER PARTS

MODEL	PART No.	HP	PHASE	VOLTS	ENCLOSURE	RPM (Nominal)	MAX AMPS	WEIGHT (pounds)
BSP25CCE3	-	15	3	230/460	ODP	3450	44-40/20	322
BSP25CCE3-T	-	15	3	230/460	TEFC	3450	38-35/17.5	341
BSP25CCE3-BF	-	15	3	230/460	ODP	3450	44-40/20	322
BSP25CCE3-TBF	-	15	3	230/460	TEFC	3450	38-35/17.5	341

T = totally enclosed BF = bronze fitted TB = totally enclosed bronze fitted
 * Overall dimensions of unit and amps is subject to the motor manufacture.

IMPORTANT!

1. Never use this pump to handle explosive liquids.
2. This pump is not approved to be used in swimming pools, recreational installations or any application where human contact may be common.

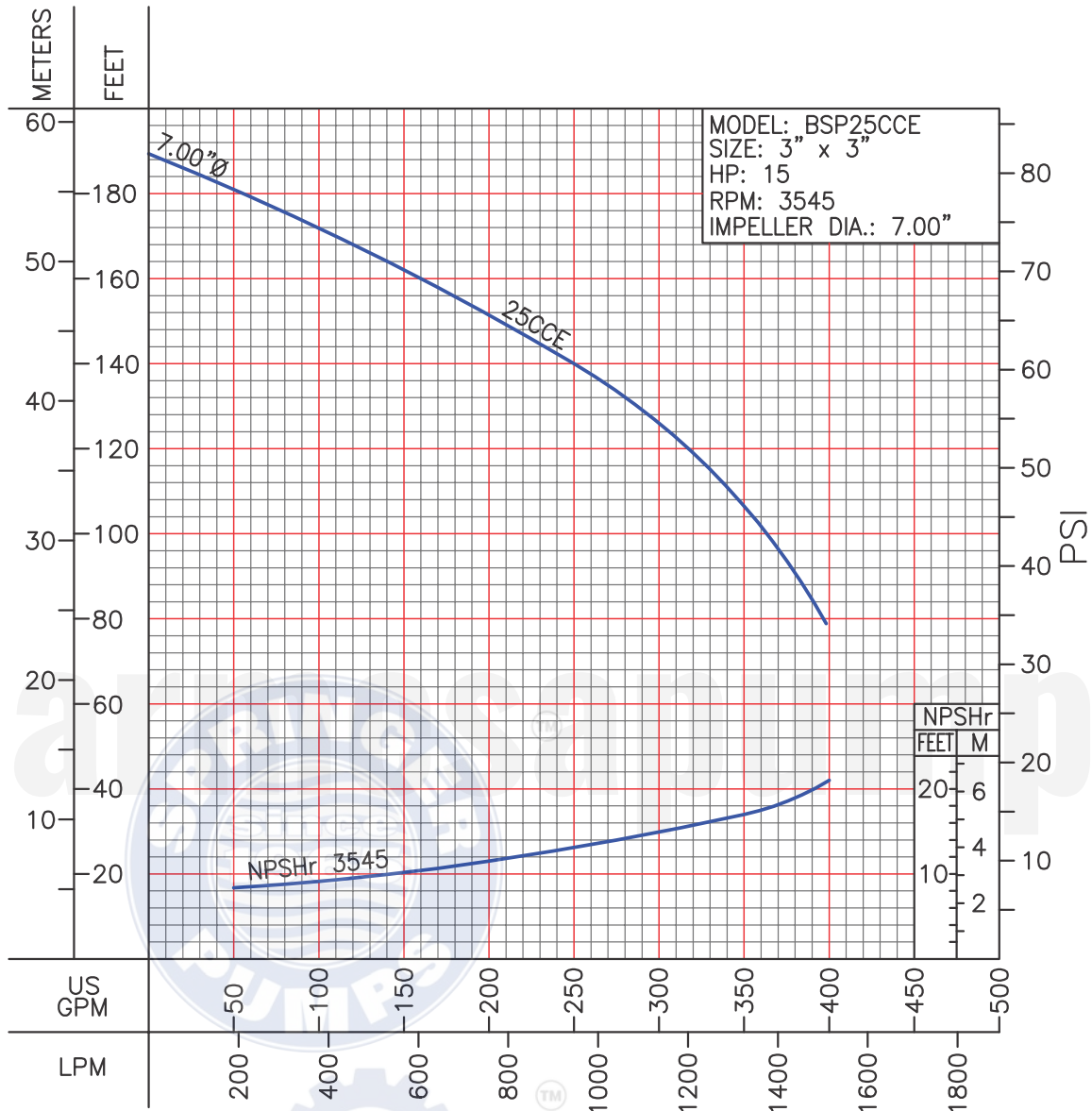
barmesapumps.com/US

North America: 866 777 6060
 Int'l: +1 267 404 2910

Springer Pumps
 Springer Parts

www.springerpumps.com
www.springerparts.com

PERFORMANCE CURVES



*BSPCCE series pumps are approved for Marine use and Commercial / Industrial applications.

IMPORTANT!

1. Testing is performed with water specific gravity of 1.0 @ 68 °F (20 °C); other fluids may vary performance.

North America: 866 777 6060
 Int'l: +1 267 404 2910

Springer Pumps
 Springer Parts

barmesapumps.com/US
www.springerpumps.com
www.springerparts.com