



SUBMERSIBLE SEWAGE PUMP W/ CUTTER PLATE

Series: *Roto-Blade*

CUT1003 / CUT1004

10 HP / 1750 RPM

Discharge: 4"



DISCHARGE

4", 125 lb, flange horizontal.

LIQUID TEMPERATURE

104°F (40°C) continuous

VOLUTE

Cast iron ASTM A-48 class 30

MOTOR HOUSING

Cast iron ASTM A-48 class 30

IMPELLER

Cast iron ASTM A-48 class 30. Unique tungsten carbide tipped impeller and high chrome serrated cutter plate for slicing of solids.

SUCTION PLATE

Ductile iron

SHAFT

AISI 410 series stainless steel

HARDWARE

Stainless steel

O-RINGS

Buna-N

PAINT

Air dry enamel, water based.

SEAL

Design: double mechanical, oil lubricated.

Material: silicon carbide outboard, carbon ceramic inboard seal, with stainless steel hardware.

CORD ENTRY

40 ft of neoprene cord STOW, UL, 10 AWG x 4C (for 230 V), 12 AWG x 4C (for 460 V), sealed against moisture.

BEARINGS

Ball, single row and oil lubricated.

MOTOR

Three phase, 230 & 460 V, 1750 RPM, 60 Hz. Air-filled watertight, built-in overload, IP68 protection and class B insulation.

ACCESSORIES

Includes discharge elbow

OPTIONAL EQUIPMENT

Slide rail coupling (QL-100)

Last update: 04/20/2021

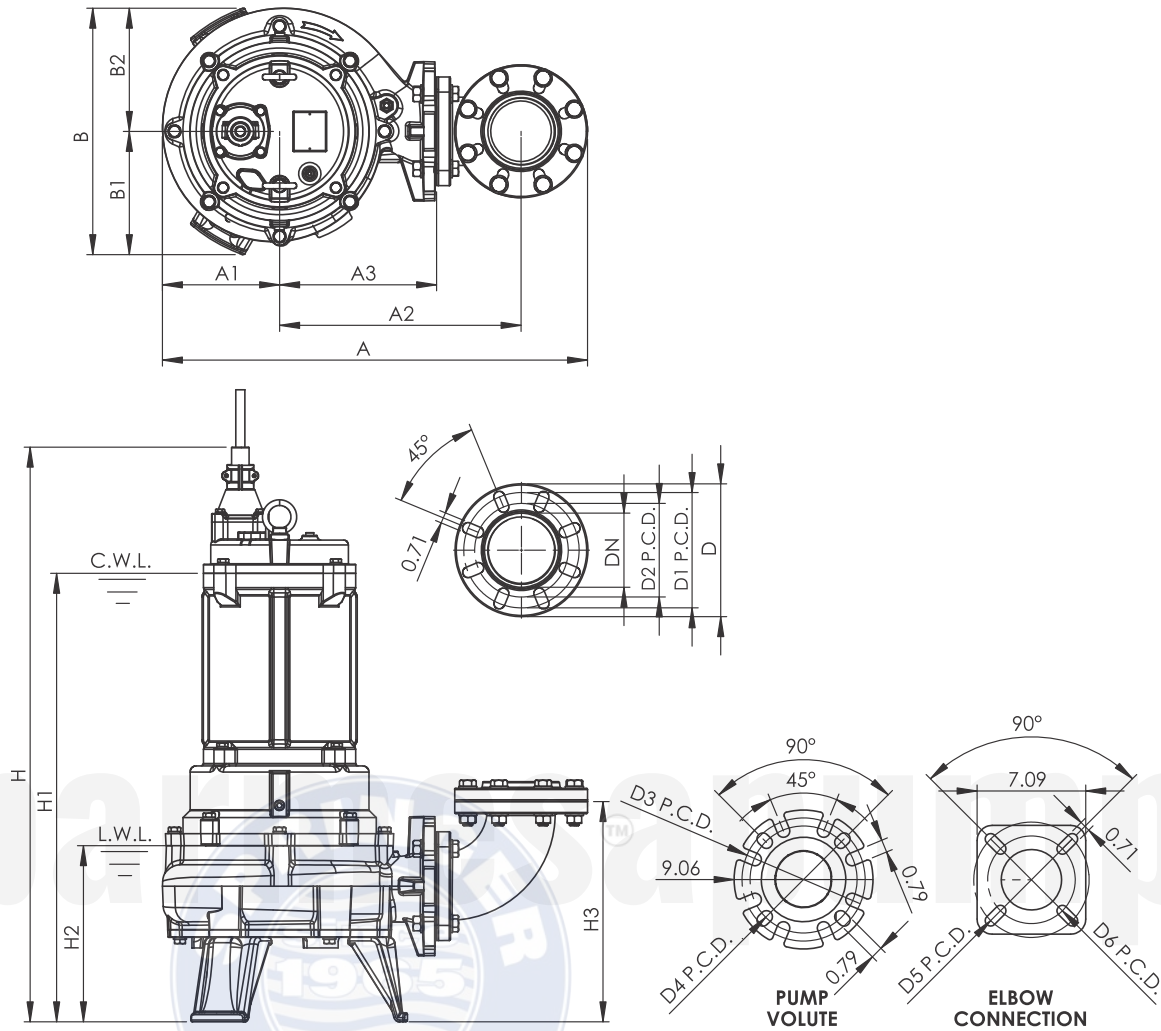
North America: 866 777 6060
Int'l: +1 267 404 2910

Springer Pumps
Springer Parts

www.springerpumps.com
www.springerparts.com

TECHNICAL DATA SHEET

SPECIFICATIONS



C.W.L.: Continuous Running Water Level
 L.W.L.: Lowest Running Water Level
 (Most effective motor heat dissipation when fully submerged)

| PIPE CONECTION TYPE | |
|---------------------|-----|
| PT | NPT |

SPRINGER PARTS

| A | A1 | A2 | A3 | B | B1 | B2 | DN | D | D1 |
|------|-----|------|------|------|-----|-----|----|-----|-----|
| 27.8 | 7.7 | 15.8 | 10.2 | 16.1 | 8.1 | 8.1 | 4 | 8.7 | 7.5 |

| D2 | D3 | D4 | D5 | D6 | H | H1 | H2 | H3 | WT |
|-----|-----|-----|-----|-----|------|------|------|------|-----|
| 6.1 | 7.5 | 6.9 | 7.5 | 5.7 | 37.5 | 29.3 | 11.5 | 14.4 | 363 |

- Dimensions in inches.
- Weight in pounds, without the cable.

IMPORTANT!

1. Never use this pump to handle explosive liquids.
2. This pump is not approved to be used in swimming pools, recreational installations or any application where human contact may be common.

barmesapumps.com/US

North America: 866 777 6060
 Int'l: +1 267 404 2910

Springer Pumps
 Springer Parts

www.springerpumps.com
www.springerparts.com

| | | | | | | | | | | | | |
|---------------|-------------------|-------|-------|-------|-------|-------|-------|-------|---|------------------|----------------|---------|
| MODEL | CUT1003 / CUT1004 | | | | | | | | | HEAD | 52.5 ft | 16 m |
| FREQUENCY | 60 Hz | | | | | | | | | CAPACITY | 235 GPM | 900 LPM |
| DISCHARGE | 4 INCHES / 100 mm | | | | | | | | | POLE / RPM | 4 P / 1750 RPM | |
| OUTPUT | 10 HP / 7.5 kW | | | | | | | | | START METHOD | DIRECT ON LINE | |
| PHASE/VOLTAGE | 3Ø | 208 V | 220 V | 230 V | 380 V | 400 V | 440 V | 460 V | - | INSULATION CLASS | CLASS B | |
| F.L.A. | A | 28.8 | 27.6 | 26.6 | 15.6 | 15.5 | 13.7 | 13.6 | - | | | |

