



SUBMERSIBLE STAINLESS DEWATERING PUMP

KLEIN series

Discharge: 2"

Spherical solids handling: 0.23"

0.5, 1 & 2 HP / 3450 RPM



DISCHARGE

2" (5.08 cm) NPT female, vertical, bolt on flange. Lost-wax casting 304 AISI stainless steel.

LIQUID TEMPERATURE

104°F (40°C)

PUMP CASING

304 AISI stainless steel

MOTOR HOUSING

304 AISI stainless steel

OIL CHAMBER

304 AISI stainless steel

IMPELLER

Design: 8 vane, semi-open

Material: 304 AISI stainless steel

SHAFT

304 AISI stainless steel

HARDWARE

304 AISI stainless steel

O-RINGS

Buna-N®

SEAL

Design: dual, mechanical, oil filled chamber.

Material: upper part of carbon-ceramic, lower part silicon carbide. Stainless steel hardware.

CORD ENTRY

32 ft of neoprene cord, sealed against moisture.

BEARINGS

Ball, single row, permanently oil lubricated.

MOTOR

Dry type submersible motor, 1 & 3 phase, 115 & 230V, 60 Hz, 3450 RPM. Insulation class B and IP68 protection class.

HANDLE

304 AISI stainless steel and Buna-N®

Last update: JUL/12/2022

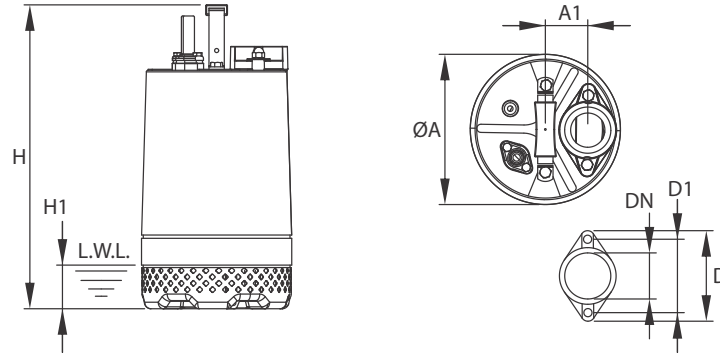
North America: 866 777 6060
Int'l: +1 267 404 2910

Springer Pumps
Springer Parts

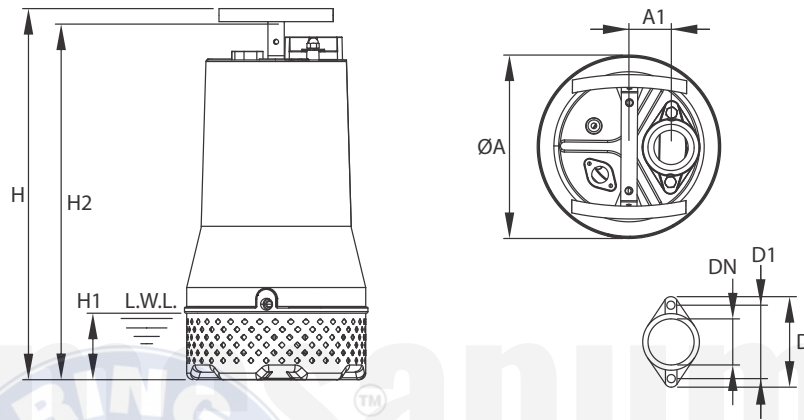
www.springerpumps.com
www.springerparts.com

TECHNICAL DATA SHEET

► 0.5 - 1 HP



► 2 HP



HP	A	A1	D	D1	DN	H	H1	H2	WEIGHT (lb)
0.5	7.4	2.05	4.13	3.35	2"	13.58	2.05	-	31
1	7.4	2.05	4.13	3.35	2"	14.57	2.05	-	38
2	8.86	2.05	4.13	3.35	2"	17.91	3.19	17.17	55

* Weight without cord.
 - Dimensions in inches.
 - L.W.L.: lowest running water level.

MODEL	PART No.	HP	VOLTS	PH	AMPS	RATED RPM	RATED		MAX.	
							ft	GPM	ft	GPM
2KLEIN-051	70090121	0.5	115	1	6.6	3450	26	30	33	61
2KLEIN-101	70090123	1	115	1	12	3450	33	55	62.4	82
2KLEIN-102	70090124	1	230	1	6	3450	33	55	62.4	82
2KLEIN-202	70090125	2	230	1	13	3450	43	80	65.5	153
2KLEIN-203	70090127	2	230	3	8	3450	43	80	65.5	153
2KLEIN-204	70090128	2	460	3	4	3450	43	80	65.5	153

IMPORTANT!

1. Never use this pump to handle explosive liquids.
2. This pump is not approved to be used in swimming pools, recreational installations or any application where human contact may be common.

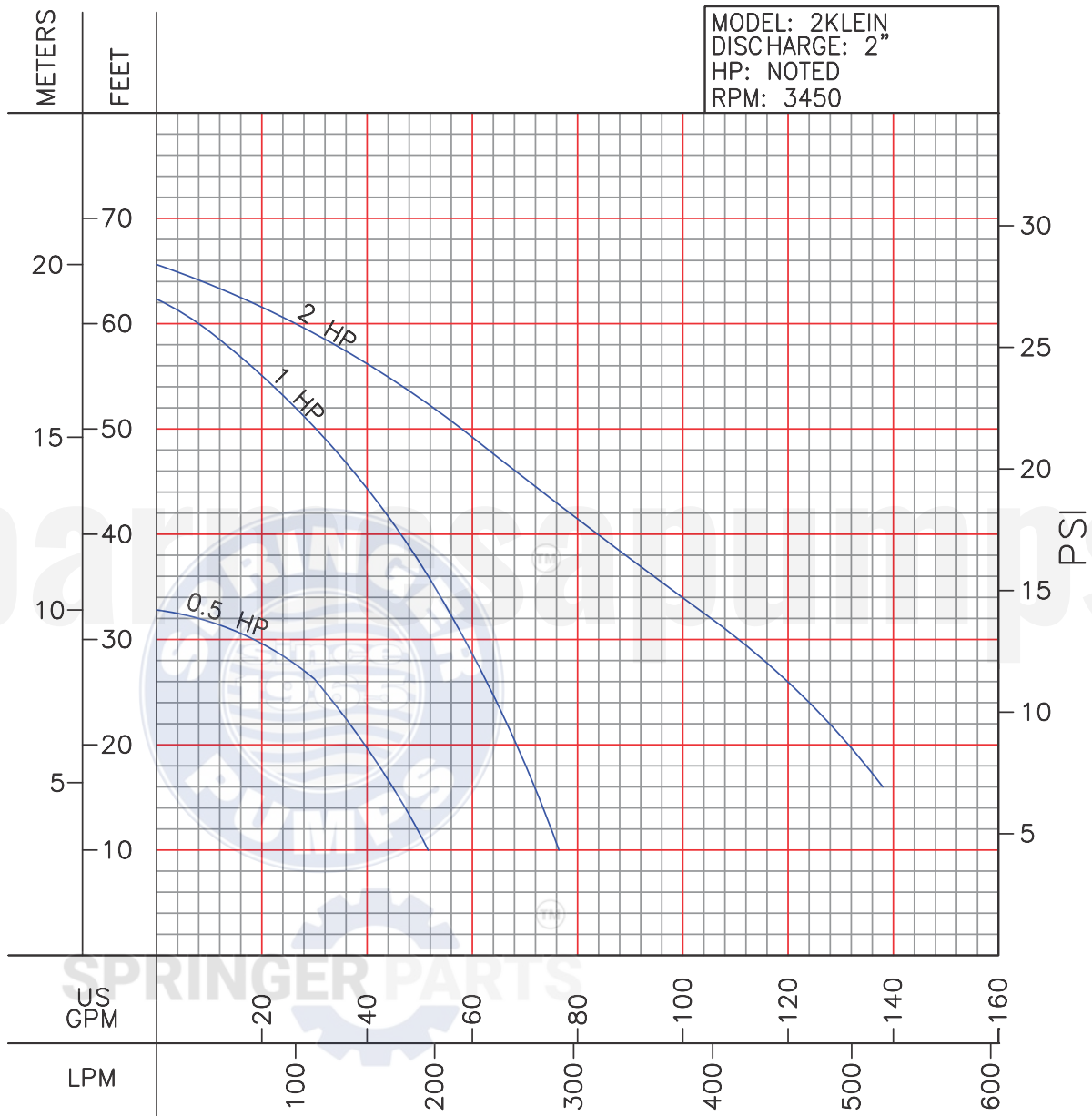
barmesapumps.com/US

North America: 866 777 6060
 Int'l: +1 267 404 2910

Springer Pumps
 Springer Parts

www.springerpumps.com
www.springerparts.com

PERFORMANCE CURVES



IMPORTANT!

1. Testing is performed with water specific gravity of 1.0 @ 68°F (20°C); other fluids may vary performance.

North America: 866 777 6060
Int'l: +1 267 404 2910

Springer Pumps
Springer Parts

barmesapumps.com/US
www.springerpumps.com
www.springerparts.com