

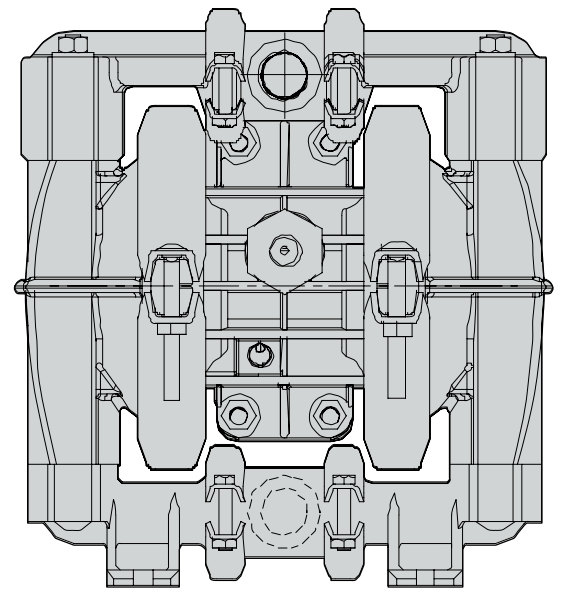


NOMAD™

OPERATION MANUAL

PWR-FLO™

**NPF15 .5" METALLIC PUMP
PWR-FLO™ AIR DISTRIBUTION SYSTEM**



AIR-OPERATED



DOUBLE DIAPHRAGM



PUMPS

ALUMINUM Models
316 S.S. Models



A JDA Global Company

Tel: 866-777-6060
Fax: 866-777-6383

Springer Pumps, LLC

Website: www.springerpumps.com
Int'l: +001 267 404 2910

CAUTION: Do not apply compressed air to the exhaust port – pump will not function.

CAUTION: Do not over-lubricate air supply – excess lubrication will reduce pump performance. Pump is pre-lubed.

TEMPERATURE LIMITS:

Neoprene	-17.7°C to 93.3°C	0°F to 200°F
Buna-N	-12.2°C to 82.2°C	10°F to 180°F
EPDM	-15.1°C to 137.8°C	-60°F to 280°F

NOTE: Not all materials are available for all models. Refer to Section 2 for material options for your pump.

CAUTION: Check temperature limits for all wetted components. Example: Viton® has a maximum limit of 176.7°C (350°F) but polypropylene has a maximum limit of only 79°C (175°F).

CAUTION: Maximum temperature limit are based upon mechanical stress only. Certain chemicals will significantly reduce maximum safe operating temperatures.

WARNING: Prevention of static parking – if static sparking occurs, fire or explosion could result. Pump, valves, and containers must be grounded to a proper grounding point when handling flammable fluids and whenever discharge of static electricity is a hazard.

CAUTION: Do not exceed 8.6 bar (125psig) air supply pressure.

CAUTION: The process fluid and cleaning fluids must be chemically compatible with all wetted pump components.

CAUTION: Do not exceed 82°C (180°F) air inlet temperature.

CAUTION: Pumps should be thoroughly flushed before installing into process lines.

CAUTION: Always wear safety glasses when operating pump. If diaphragm rupture occurs, material being pumped may be forced out air exhaust.

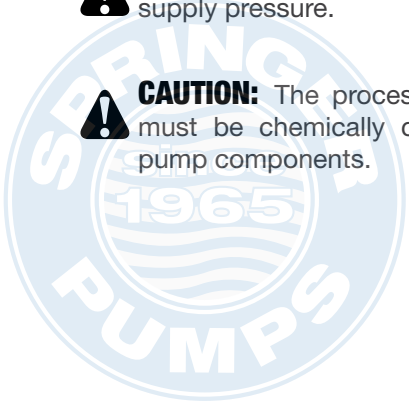
CAUTION: Before any maintenance or repair is attempted, the compressed air line to the pump should be disconnected and all air pressure allowed to bleed from pump. Disconnect all intake, discharge and air lines. Drain the pump by turning it upside down and allowing any fluid to flow into a suitable container.

CAUTION: Blow out air line for 10 to 20 seconds before attaching to pump to make sure all pipeline debris is clear. Use an in-line air filter. A 5µ (micron) air filter is recommended.

NOTE: When installing PTFE diaphragms, it is important to tighten outer pistons simultaneously (turning in opposite directions) to ensure a tight fit. (See torque specifications.)

NOTE: Before starting disassembly, mark a line from each liquid chamber to its corresponding air chamber. This line will assist in proper alignment during reassembly.

CAUTION: Tighten all hardware prior to installation.



Pump Designation System

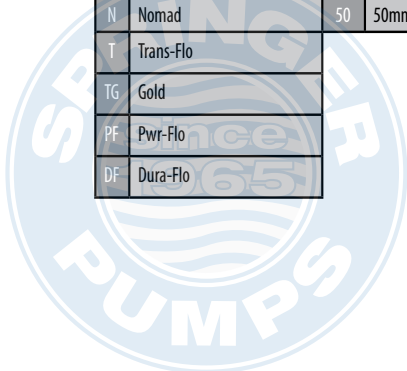


XXX XX / XXXX / XX / XX / XXX / X/X/X

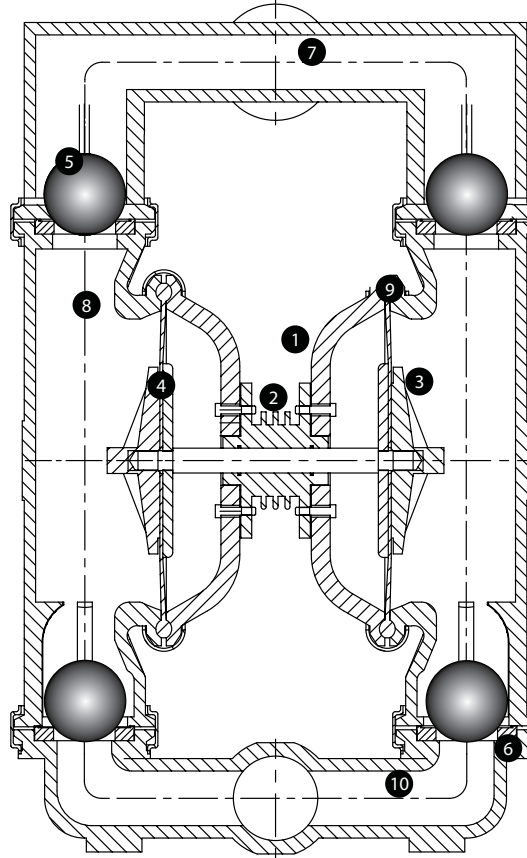
1	2	3	4	5	6	7,8	9	10	11	12	13	ATEX	
Air Distribution System	Liquid Port Size	Wetted Parts			Diaphragms & Valve Balls		Valve Seats		Fittings	Connections			
N	07	07mm/.25"	A	Aluminum	BN	Buna - N/ Nitrile	A	Aluminum	N	NPT	C	Clamped	
T	15	15mm/.5"	W	Ductile	ND	Nordel/EPDM	S	Stainless Steel	B	BSP	B	Bolted	
TG	25	25mm/1"	S	Stainless Steel	NE	Neoprene	BN	Buna - N/Nitrile	TC	Tri-Clamp			
PF	40	40mm/1.5"	P	Polypropylene	TF	PTFE (with Neoprene back-up)	NE	Neoprene	FL	Flanged			
DF	50	50mm/2"	4	Air Chambers	VT	Viton/FKM	ND	Nordel/EPDM					
	80	80mm/3"	A	Aluminum	FG	Hytrel®	VT	Viton					
	100	100mm/4"	W	Ductile	SN	Santoprene®	SP	Santoprene					
			S	Stainless Steel	SNF	Santoprene® - UFI	FG	Hytrel					
			W	Mild Steel	TFF	PTFE - UFI	P	Polypropylene					
			P	Polypropylene	TGN	Garlock® - NEO BACKED	K	Kynar					
			5	Center Block	TGE	Garlock® - EPDM BACKED	PU	Polyurethane					
			A	Aluminum	TGV	Garlock® - Viton BACKED	MTF	Mild Steel					
			P	Polypropylene	PU	Polyurethane	10	O-Ring					
			6	Air Valve	FGF	Hytrel UFI	BN	Buna - N/Nitrile					
			B	Brass	PUF	Polyurethane UFI	NE	Neoprene					
			P	Polypropylene			ND	Nordel/EPDM					
			A	Aluminum			VT	Viton					
							TF	PTFE					
							PU	Polyurethane					
							SN	Santoprene					
							PTV	Viton Encap.					

NTG 50 / AAAB / TF / TF / ATF / N / C / X

1	2	3	4	5	6	7,8	9	10	11	12	13	ATEX	
Air Distribution System	Liquid Port Size	Wetted Parts			Diaphragms & Valve Balls		Valve Seats		Fittings	Connections			
N	50	50mm/2"	A	Aluminum	TF	PTFE (with Buna back-up)	A	Aluminum	N	NPT	C	Clamped	
T			4	Air Chambers			10	O-Ring					
TG			A	Aluminum			TF	PTFE					
PF			5	Center Block									
DF			A	Aluminum									
			6	Air Valve									
			B	Brass									



The NOMAD diaphragm pump is an air-operated, positive displacement, self-priming pump. These drawings show flow pattern through the pump upon its initial stroke. It is assumed the pump has no fluid in it prior to its initial stroke.



1. Air Chamber

The air chamber is the chamber that houses the air which powers the diaphragms.

2. Air Distribution System

The air distribution system is the heart of the pump. The air distribution system is the mechanism that shifts the pump in order to create suction and discharge strokes.

3. Lock Nut (Outer Diaphragm Piston)

The outer diaphragm pistons provide a means to connect the diaphragms to the reciprocating common shaft and to seal the liquid side from the air side of the diaphragm.

4. Holding plate (Inner Diaphragm Piston)

The inner piston is located on the air side of the pump and does not come into contact with the process fluid.

5. Check Valve Ball

NOMAD air-operated pumps use suction and discharge check valves to produce directional flow of process fluid in the liquid chamber. The check valve balls seal and release on the check valve seats allowing for discharge and suction of process fluid to occur.

6. Check Valve Seat

The removable seats provide the ball valves a site to check.

7. Discharge Manifold

Process fluid exits the pump from the discharge port located on the discharge manifold at the top of the pump.

8. Liquid Chamber

The liquid chamber is filled with the process fluid during the suction stroke and is emptied during the discharge stroke. It is separated from the compressed air by the diaphragms.

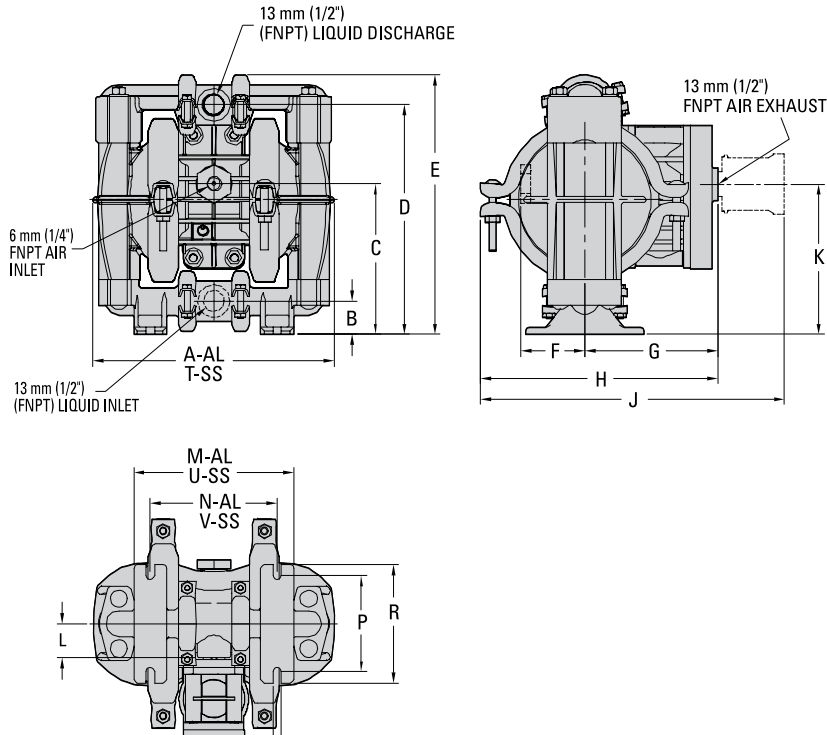
9. Diaphragm

The diaphragm membrane provides for separation of the process fluid and the compressed air power source. To perform adequately, diaphragms should be of sufficient thickness and of appropriate material to prevent degradation or permeation in specific process fluid applications. NOMAD offers a variety of diaphragm materials for your specific application requirements.

10. Inlet Manifold

Process fluid enters the pump from the intake port located on the inlet manifold at the bottom of the pump.

NPF15 METAL



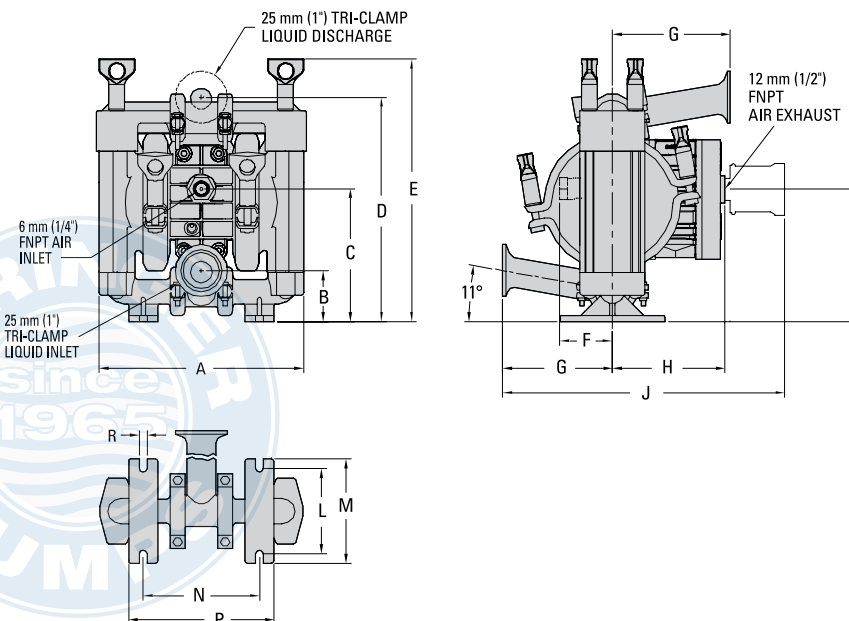
DIMENSIONS

ITEM	METRIC (mm)	STANDARD (inch)
A	208	8.2
B	28	1.1
C	130	5.1
D	198	7.8
E	224	8.8
F	53	2.1
G	114	4.5
H	206	8.1
J	262	10.3
K	130	5.1
L	30	1.2
M	137	5.4
N	109	4.3
P	84	3.3
R	102	4.0
S	8	0.3
T	203	8.0
U	142	5.6
V	112	4.4

BSPT threads available.

REV. E

NPF15 METAL FDA



DIMENSIONS

ITEM	METRIC (mm)	STANDARD (inch)
A	203	8.0
B	53	2.1
C	130	5.1
D	218	8.6
E	257	10.1
F	53	2.1
G	114	4.5
H	114	4.5
J	287	11.3
K	130	5.1
L	84	3.3
M	102	4.0
N	84	3.3
P	142	5.6
R	8	0.3

REV. D

Rubber Fitted

Height 277 mm (10.9")
 Width 234 mm (9.2")
 Depth 201 mm (7.9")
 Est. Ship Weight Aluminum 6 kg (13 lbs)
 316 S.S. 9 kg (20 lbs)
 Air Inlet6 mm (1/4")
 Inlet13 mm (1/2")
 Outlet13 mm (1/2")
 Section Lift 5.2 m Dry (17.0")
 8.7 m Wet (28.4")
 Displacement/Stroke 0.101 l (0.027 gal)¹
 Max. Flow Rate 56.0 lpm (14.8 gpm)
 Max. Size Solids 1.6 mm (1/16")

¹Displacement per stroke was calculated at 4.8 Bar (70 psig) air inlet pressure against a 2 Bar (30 psig) head pressure.

Example: To pump 32.9 lpm (8.7 gm) against a discharge head pressure of 4.1 Bar (60 psig) requires 5.5 Bar (80 psig) and 27.2 Nm³/h (16 scfm) air consumption. (See dot on chart)

Caution: Do not exceed 8.6 Bar (125 psig) air supply pressure.

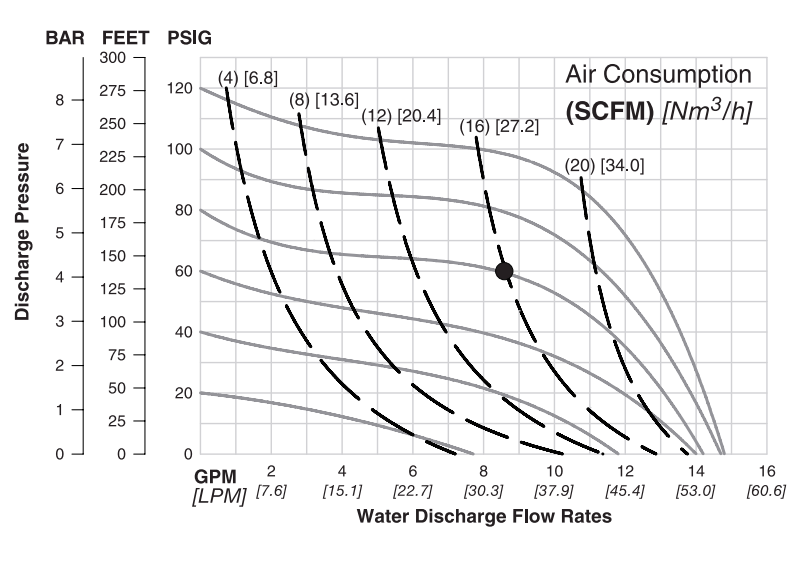
PTFE Fitted

Height 277 mm (10.9")
 Width 234 mm (9.2")
 Depth 201 mm (7.9")
 Est. Ship Weight Aluminum 6 kg (13 lbs)
 316 S.S. 9 kg (20 lbs)
 Air Inlet6 mm (1/4")
 Inlet13 mm (1/2")
 Outlet13 mm (1/2")
 Section Lift 4.5 m Dry (14.7")
 9.3 m Wet (30.6")
 Displacement/Stroke 0.10 l (0.027 gal)¹
 Max. Flow Rate 57.0 lpm (15.0 gpm)
 Max. Size Solids 1.6 mm (1/16")

¹Displacement per stroke was calculated at 4.8 Bar (70 psig) air inlet pressure against a 2 Bar (30 psig) head pressure.

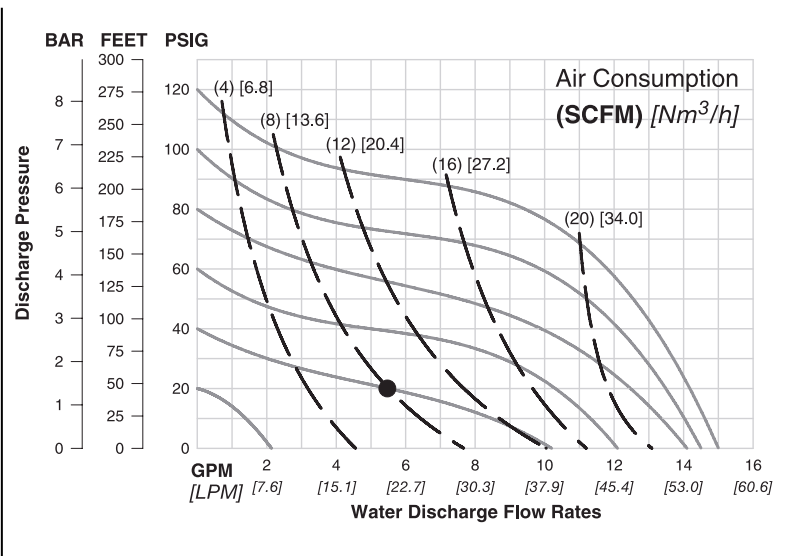
Example: To pump 20.8 lpm (5.5 gm) against a discharge head pressure of 1.4 Bar (20 psig) requires 2.8 Bar (40 psig) and 13.6 Nm³/h (8 scfm) air consumption. (See dot on chart)

Caution: Do not exceed 8.6 Bar (125 psig) air supply pressure.



Flow rates indicated on chart were determined by pumping water.

For optimum life and performance, pumps should be specified so that daily operation parameters will fall in the center of the pump performance curve.



Flow rates indicated on chart were determined by pumping water.

For optimum life and performance, pumps should be specified so that daily operation parameters will fall in the center of the pump performance curve.

INSTALLATION:

- Suction pipe equal to/greater than pump diameter (same for discharge)
- Tighten all fasteners before use
- Suction connection should be non-collapsible

AIR SUPPLY:

- Air line size must be large enough to create desired volume (see performance curve section)
- Do not exceed 8.6 BAR (125 PSIG)
- For best results, use 5 micron air filter
- Use lubricator with 5 wt. oil

PIPING:

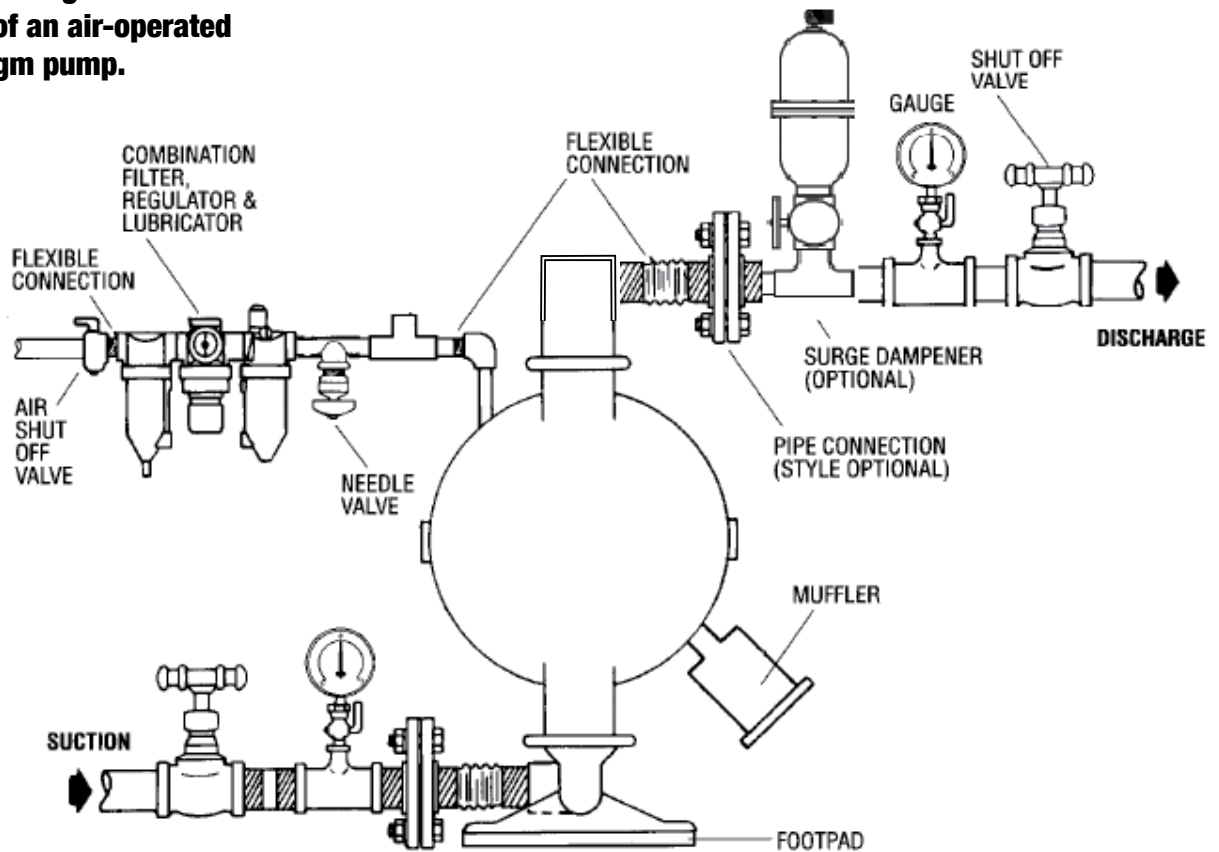
- Remove as many turns/elbows as possible
- Piping should be supported
- Flexible hose will avoid stress on pump fitting
- Gate Valve should be used in applications involving flooded suction
- In positive suction head conditions, limit inlet pressure to 0.5 - 0.7 BAR (7 - 10 PSI). Premature diaphragm failure will take place above the parameters.

ALL NOMAD PUMPS ARE CAPABLE OF PASSING SOLIDS. A STRAINER SHOULD BE USED ON THE PUMP INTAKE TO ENSURE THAT THE PUMP'S RATED SOLIDS CAPACITY IS NOT EXCEEDED.

CAUTION: DO NOT EXCEED 8.6 BAR (125 PSIG) AIR SUPPLY PRESSURE.



This illustration is a generic representation of an air-operated double-diaphragm pump.



NOTE: In the event of a power failure, the shut off valve should be closed, if the restarting of the pump is not desirable once power is regained.

AIR OPERATED PUMPS: To stop the pump from operating in an emergency situation, simply shut off valve (user supplied) installed

in the air supply line. A properly functioning valve will stop the air supply to the pump, therefore stopping output. The shut off valve should be located far enough away from the pumping equipment such that it can be reached safely in an emergency situation.



Troubleshooting

Pump will not run or runs slowly.

1. Ensure that the air inlet pressure is at least 0.4 Bar (5 psig) above start up pressure and that the differential pressure (the difference between air inlet and liquid discharge pressures) is not less than 0.7 Bar (10 psig).
2. Check air inlet filter for debris
3. Check for extreme air leakage (blow by) which would indicate worn seals/bores in the air valve.
4. Disassemble pump and check for obstructions in the air passageway.
5. Check for sticking ball check valves. If material being pumped is not compatible with pump, elastomer, swelling may occur. Replace ball check valves and seals with proper elastomers. Also, as the check valve balls wear out, they become smaller and can become stuck in the seats. In this case, replace balls and seats.
6. Check for broken inner piston which will cause the air valve spool to be unable to shift.
7. Remove plug from pilot spool exhaust.

Pump runs but little or no product flows.

1. Check for pump cavitation; slow pump speed down to allow thick material to flow into liquid chambers.
2. Verify that vacuum required to lift is not greater than the vapor pressure of the material being pumped (cavitation).
3. Check for sticking ball valves. If material being pumped is not compatible with pump elastomers, swelling may occur. Replace ball check valves and seats with proper elastomers. Also, as the check valve balls wear out, they become smaller and can become stuck in the seats. In this case, replace balls and seats.

Pump air valve freezes.

1. Check for excessive moisture in compressed air. Either install a dryer or hot air generator for compressed air. Alternatively, a coalescing filter may be used to remove the water from the compressed air in some applications.

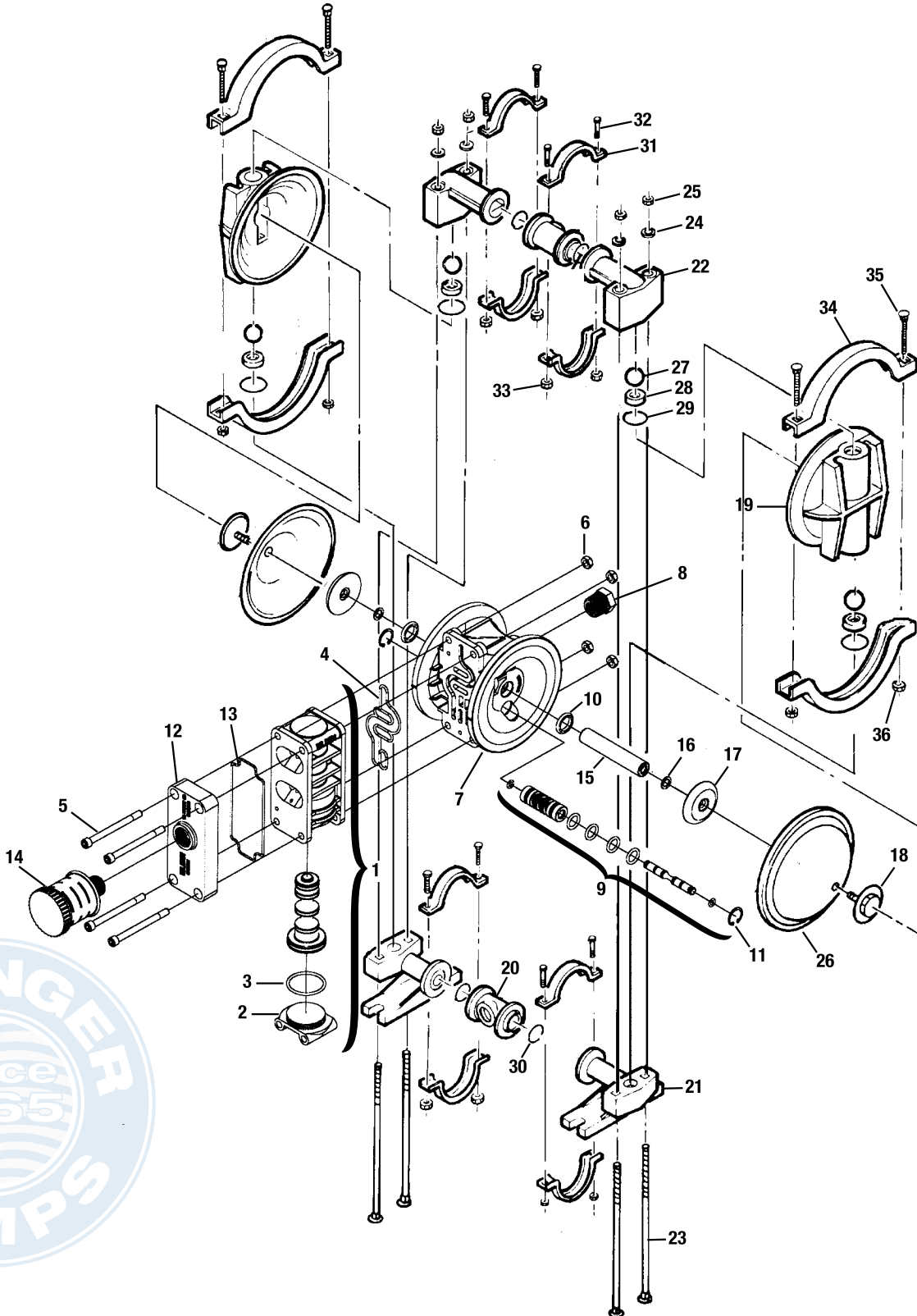
Air bubbles in pump discharge.

1. Check for ruptured diaphragm.
2. Check tightness of outer pistons.
3. Check tightness of fasteners and integrity of o-rings and seals, especially at intake manifold.
4. Ensure pipe connections are airtight

Product comes out air exhaust.

1. Check for diaphragm rupture.
2. Check tightness of outer pistons to shaft.

NPF15 Rubber Diaphragm-Fitted

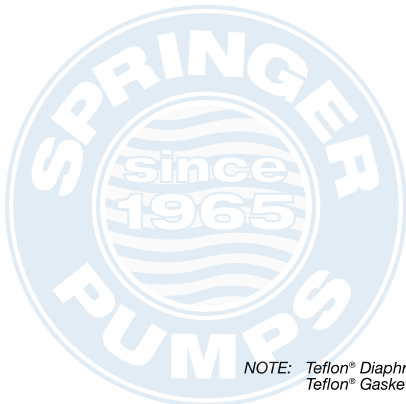
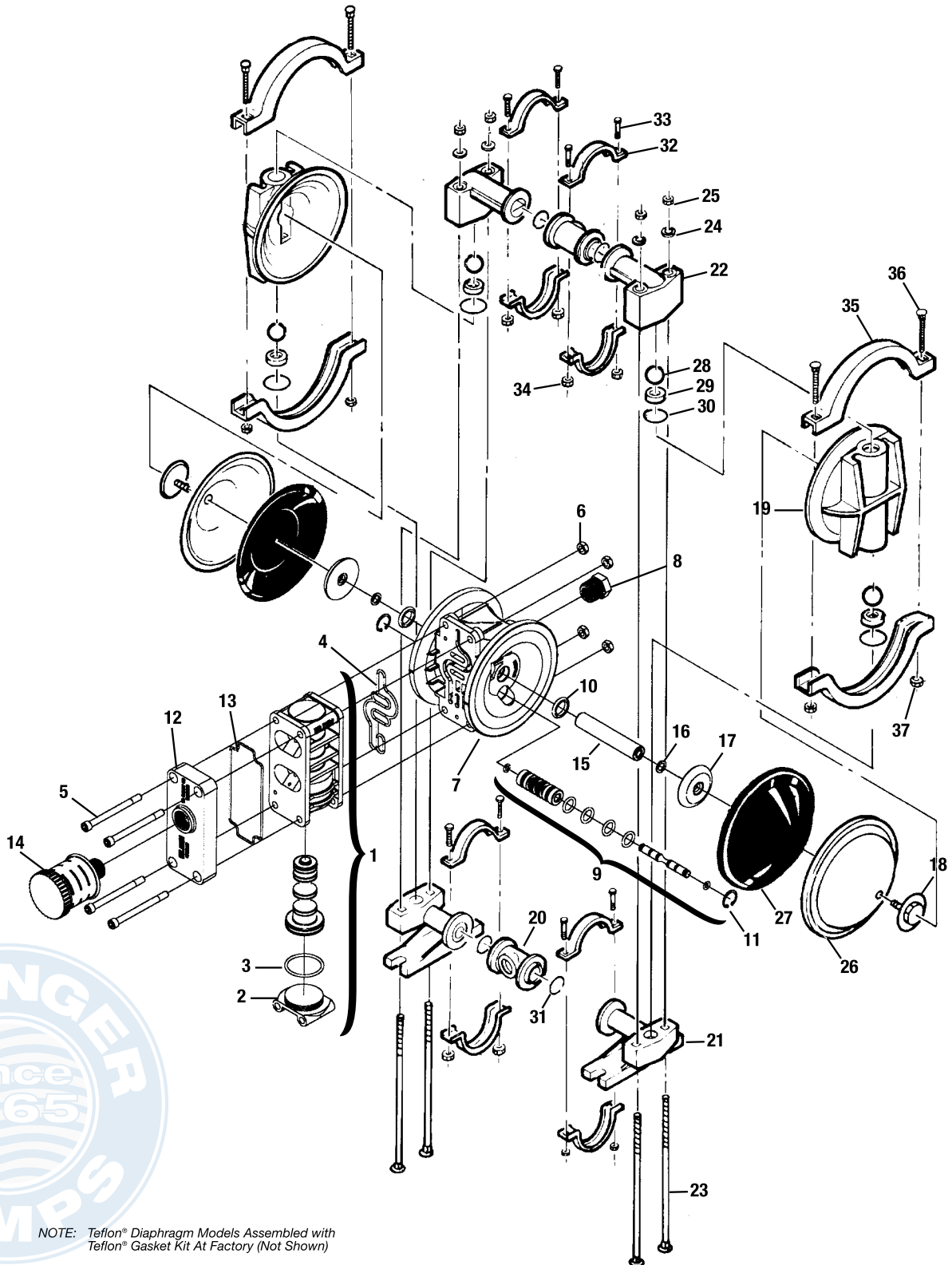


NPF15 RUBBER-FITTED

No.	Part Description	Qty.	Aluminum	S.S.
1	Air Valve Assembly	1	N01-2010-20	N01-2010-20
2	End Cap	1	N01-2332-20	N01-2332-20
3	O-Ring (-126). End Cap (Ø.1.362 x Ø.103)	1	N01-2395-52	N01-2395-52
4	Gasket, Air Valve	1	N01-2615-52	N01-2615-52
5	Screw, HSHC, Air Valve (1/4"-20 x 3")	4	N01-6001-03	N01-6001-03
6	Nut, Hex (1/4" - 20)	4	N04-6400-03	N04-6400-03
7	Center Section Assembly	1	N01-3141-20	N01-3141-20
8	Bushing Reducer	1	N01-6950-20	N01-6950-20
9	Removable Pilot Sleeve Assembly	1	N01-3880-99	N01-3880-99
10	Shaft seal	2	N01-3220-55	N01-3220-55
11	Retaining Ring	2	N00-2650-03	N00-2650-03
12	Muffler Plate	1	N01-3181-20	N01-3181-20
13	Gasket, Muffler Plate	1	N01-3505-52	N01-3505-52
14	Muffler	1	N02-3510-99	N02-3510-99
15	Shaft	1	N01-3810-03	N01-3810-03
16	Disc Spring	2	N01-6802-08	N01-6802-08
17	Inner Piston	2	N01-3711-08	N01-3711-08
18	Outer Piston	2	N01-4570-01	N01-4570-03
19	Liquid Chamber	2	N01-5000-01	N01-5000-03
20	Manifold Tee Section	2	N01-5160-01	N01-5160-03
21	Inlet Manifold Elbow	2	N01-5220-01	N01-5220-03
22	Discharge Manifold Elbow	2	N01-5230-01	N01-5230-03
23	Screw, SHCS (Chamber Bolt) (1/4" -20 x 7 3/8)	4	N01-6080-03	N01-6080-03
24	Vertical Bolt Washer (.2811.D. x .6250.D. x .065THR)	4	N01-6730-03	N01-6730-03
25	Vertical Bolt Nut (1/4" - 20)	4	N04-6400-03	N04-6400-03
26	Diaphragm	2	*N01-1010-51	*N01-1010-51
27	Valve Ball	4	*N01-1080-51	*N01-1080-51
28	Valve Seat	4	N01-1120-01	N01-1120-03
29	Valve Seat O-Ring	4	*N01-1200-51	*N01-1200-51
30	Manifold O-Ring (Ø.987 x Ø.103)	4	*N01-1300-51	*N01-1300-51
31	Small Clamp Band Assembly	4	N01-7100-03	N01-7100-03
32	Small Clamp Band Bolt	8	N01-6101-03	N01-6101-03
33	Small Clamp Band Nut (#10-24)	8	N01-6400-03	N01-6400-03
34	Large Clamp Band Assembly	2	N01-7300-03	N01-7300-03
35	Large Clamp Band Bolt (1/4" - 20 x 2 1/4")	4	N01-6070-03	N01-6070-03
36	Large Clamp Band Nut (1/4" - 20)	4	N04-6400-03	N04-6400-03

*Consult Elastomer Options

NPF15 PTFE Diaphragm-Fitted

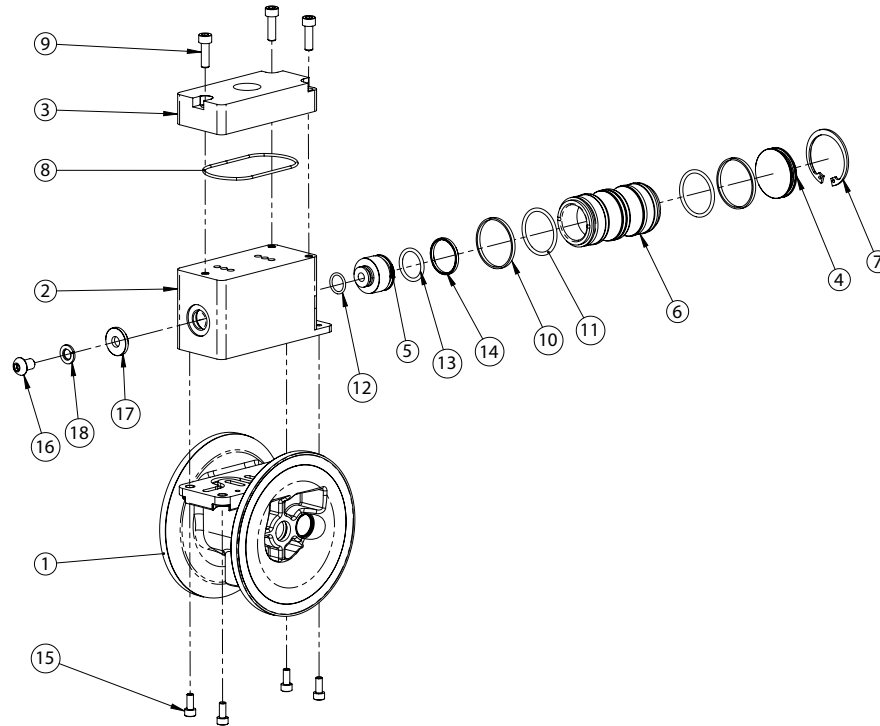


NPF15 PTFE-FITTED

No.	Part Description	Qty.	Aluminum	S.S.
1	Air Valve Assembly	1	N01-2010-20	N01-2010-20
2	End Cap	1	N01-2332-20	N01-2332-20
3	O-Ring (-126). End Cap (Ø.1.362 x Ø.103)	1	N01-2395-52	N01-2395-52
4	Gasket, Air Valve	1	N01-2615-52	N01-2615-52
5	Screw, HSHC, Air Valve (1/4"-20 x 3")	4	N01-6001-03	N01-6001-03
6	Nut, Hex (1/4" - 20)	4	N04-6400-03	N04-6400-03
7	Center Section Assembly	1	N01-3141-20	N01-3141-20
8	Bushing Reducer	1	N01-6950-20	N01-6950-20
9	Removable Pilot Sleeve Assembly	1	N01-3880-99	N01-3880-99
10	Shaft Seal	2	N01-3220-55	N01-3220-55
11	Retaining Ring	2	N00-2650-03	N00-2650-03
12	Muffler Plate	1	N01-3181-20	N01-3181-20
13	Gasket, Muffler Plate	1	N01-3505-52	N01-3505-52
14	Muffler	1	N02-3510-99	N02-3510-99
15	Shaft	1	N01-3810-03	N01-3810-03
16	Disc Spring	2	N01-6802-08	N01-6802-08
17	Inner Piston	2	N01-3711-08	N01-3711-08
18	Outer Piston	2	N01-4570-01	N01-4570-03
19	Liquid Chamber	2	N01-5000-01	N01-5000-03
20	Manifold Tee Section	2	N01-5160-01	N01-5160-03
21	Inlet Manifold Elbow	2	N01-5220-01	N01-5220-03
22	Discharge Manifold Elbow	2	N01-5230-01	N01-5230-03
23	Screw, SHCS (Chamber Bolt) (1/4" -20 x 7 3/8)	4	N01-6080-03	N01-6080-03
24	Vertical Bolt Washer (.2811.D. x .6250.D. x .065THR)	4	N01-6730-03	N01-6730-03
25	Vertical Bolt Nut (1/4" - 20)	4	N04-6400-03	N04-6400-03
26	PTFE Primary Diaphragm	2	*N01-1010-55	*N01-1010-55
27	Neoprene Backup Diaphragm	2	*N01-1060-51	*N01-1060-51
28	Valve Ball	4	*N01-1080-55	*N01-1080-55
29	Valve Seat	4	N01-1120-01	N01-1120-03
30	Valve Seat (-119) O-Ring (Ø.924 x Ø.103)	4	*N01-1200-55	*N01-1200-55
31	Manifold (120) O-Ring (Ø.987 x Ø.103)	4	*N01-1300-55	*N01-1300-55
31	Small Clamp Band Assembly	4	N01-7100-03	N01-7100-03
32	Small Clamp Band Bolt	8	N01-6101-03	N01-6101-03
33	Small Clamp Band Nut (#10-24)	8	N01-6400-03	N01-6400-03
34	Large Clamp Band Assembly	2	N01-7300-03	N01-7300-03
35	Large Clamp Band Bolt (1/4" - 20 x 2 1/4")	4	N01-6070-03	N01-6070-03
36	Large Clamp Band Nut (1/4" - 20)	4	N04-6400-03	N04-6400-03
	Wing Nut	4	N/A	N/A

*Consult Elastomer Options

1/2" AIR VALVE ASSEMBLY WITH SHAFT HOUSING



1/2" ALUMINUM PWR-FLO BILL OF MATERIAL

No.	Part Description	Qty.	Part Number	Sold Separatly
1	CENTER PIECE FOR NPF15	1	N01-3140-01	Yes
2	1"- 1/2" AIR VALVE ASSEMBLY	1	N01-2010-01	Yes
	AIR VALVE BODY	1	N01-2010-01R	No
3	COVER	1	N01-3181-01	Yes
4	END CAP	1	N01-2334-23	No
5	DIFFERENTIAL CAP	1	N01-2335-01	No
6	AIR PISTON	1	N01-2655-23	No
7	INTERNAL CIRCLIP	1	N01-2657-03	No
8	O-RING FOR COVER	1	N01-3506-52	Yes
9	ALLEN BOLT	3	N01-6003-03-700	Yes
10	CFT RING BIG	7	N01-3211-99-700	No
11	O-RING BIG	7	N01-3212-52-700	No
12	O-RING SMALL	1	N01-3213-52-700	No
13	O-RING BIG FOR DIFFERENTIAL CAP	1	N01-3214-52-700	No
14	CFT RING FOR DIFFERENTIAL CAP	1	N01-3215-99-700	No
15	ALLEN BOLT	4	N01-6002-03-700	Yes
16	BUTTON HEAD SCREW	1	N01-6004-03-700	Yes
17	PLAIN WASHER	1	N01-6790-03-700	Yes
18	SPRING WASHER	1	N01-6791-03-700	Yes



A JDA Global Company

1645 W. Park Ave., Suite 200
Redlands, CA USA 92373
(909) 798-9532

NOMAD™



NO BOUNDARIES™



Tel: 866-777-6060
Fax: 866-777-6383

Springer Pumps, LLC

Website: www.springerpumps.com
Int'l: +001 267 404 2910