

SERVICE & OPERATING MANUAL

Original Instructions

1: PUMP SPECS

2: INSTAL & OP

3: EXP VIEW

4: AIR END

5: WET END

6: OPTIONAL

7: WARRANTY

Certified Quality



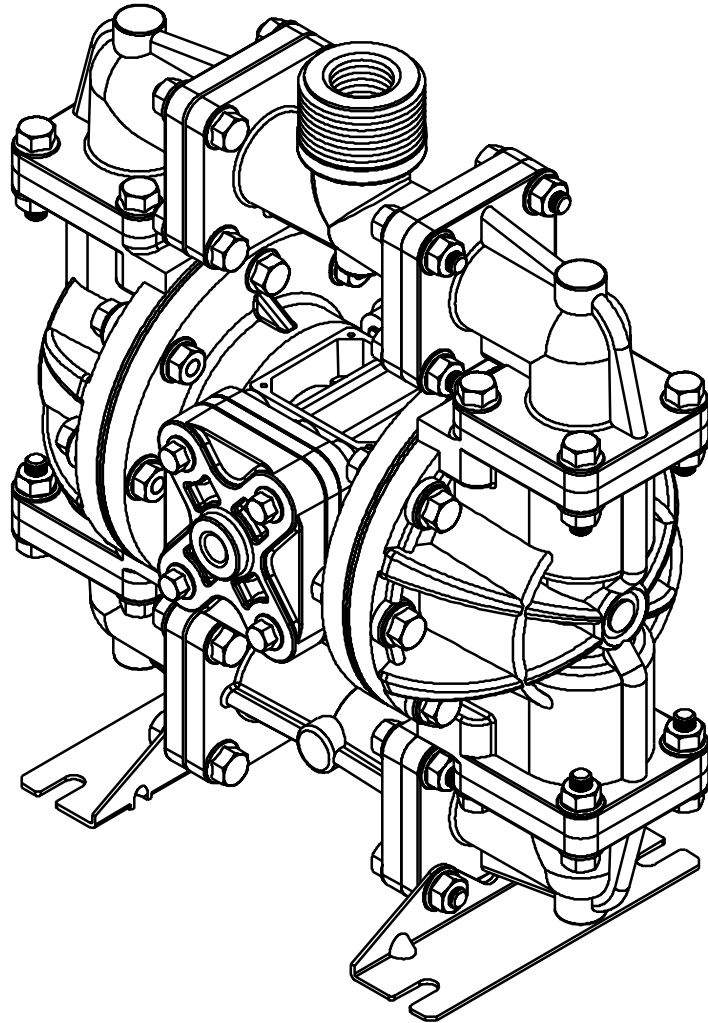
Warren Rupp, Inc.
A Unit of IDEX Corporation
800 N. Main St.,
Mansfield, Ohio 44902 USA
Telephone 419.524.8388
Fax 419.522.7867
SANDPIPERPUMP.COM



© Copyright 2022 Warren Rupp, Inc.
All rights reserved

Model S07

Non-Metallic Design Level 1



SANDPIPER[®]
A WARREN RUPP, INC. BRAND
SANDPIPERPUMP.COM

Safety Information

IMPORTANT



Read the safety warnings and instructions in this manual before pump installation and start-up. Failure to comply with the recommendations stated in this manual could damage the pump and void factory warranty.



When the pump is used for materials that tend to settle out or solidify, the pump should be flushed after each use to prevent damage. In freezing temperatures the pump should be completely drained between uses.

CAUTION



Before pump operation, inspect all fasteners for loosening caused by gasket creep. Retighten loose fasteners to prevent leakage. Follow recommended torques stated in this manual.



Nonmetallic pumps and plastic components are not UV stabilized. Ultraviolet radiation can damage these parts and negatively affect material properties. Do not expose to UV light for extended periods of time.



WARNING
Pump not designed, tested or certified to be powered by compressed natural gas. Powering the pump with natural gas will void the warranty.



WARNING
The use of non-OEM replacement parts will void (or negate) agency certifications, including CE, ATEX, CSA, 3A and EC1935 compliance (Food Contact Materials). Warren Rupp, Inc. cannot ensure nor warrant non-OEM parts to meet the stringent requirements of the certifying agencies.

WARNING



When used for toxic or aggressive fluids, the pump should always be flushed clean prior to disassembly.



Before maintenance or repair, shut off the compressed air line, bleed the pressure, and disconnect the air line from the pump. Be certain that approved eye protection and protective clothing are worn at all times. Failure to follow these recommendations may result in serious injury or death.



Airborne particles and loud noise hazards. Wear eye and ear protection.



In the event of diaphragm rupture, pumped material may enter the air end of the pump, and be discharged into the atmosphere. If pumping a product that is hazardous or toxic, the air exhaust must be piped to an appropriate area for safe containment.



Take action to prevent static sparking. Fire or explosion can result, especially when handling flammable liquids. The pump, piping, valves, containers and other miscellaneous equipment must be properly grounded.



This pump is pressurized internally with air pressure during operation. Make certain that all fasteners and piping connections are in good condition and are reinstalled properly during reassembly.



Use safe practices when lifting

ATEX Pumps - Conditions For Safe Use

1. Ambient temperature range is as specified in tables 1 to 3 on the next page (per Annex I of DEKRA 18ATEX0094X)
2. ATEX compliant pumps are suitable for use in explosive atmospheres when the equipment is properly grounded in accordance with local electrical codes
3. **Non-Metallic ATEX Pumps only — See Explanation of Pump Nomenclature / ATEX Details Page**
Conductive Polypropylene, conductive Acetal or conductive PVDF pumps are not to be installed in applications where the pumps may be subjected to oil, greases and hydraulic liquids.
4. The optionally provided solenoids shall be protected by a fuse corresponding to its rated current (max 3*I_{rat} according to EN 60127) or by a motor protecting switch with short circuit and thermal instantaneous tripping (set to the rated current) as short circuit protection. For solenoids with a very low rated current, a fuse with the lowest current value according to the indicated standard will be sufficient. The fuse may be accommodated in the associated supply unit or shall be separately arranged. The rated voltage of the fuse shall be equal or greater than the stated rated voltage of the solenoid. The breaking capacity of the fuse shall be as high as or higher than the maximum expected short circuit current at the location of the installation (usually 1500 A). The maximum permissible ripple is 20% for all dc solenoids.
***Not applicable for all pump models — See Explanation of Pump Nomenclature / ATEX Details Page**
5. When operating pumps equipped with non-conductive diaphragms that exceed the maximum permissible projected area, as defined in EN ISO 80079-36 : 2016 section 6.7.5 table 8, the following protection methods must be applied
- Equipment is always used to transfer electrically conductive fluids or
- Explosive environment is prevented from entering the internal portions of the pump, i.e. dry running.
6. Pumps provided with the pulse output kit and used in the potentially explosive atmosphere caused by the presence of the combustible dust shall be installed in such a way that the pulse output kit is protected against impact
***Not applicable for all pump models — See Explanation of Pump Nomenclature / ATEX Details Page**

SANDPIPERPUMP.COM

s07hmdl1sm-rev1222

SANDPIPER
A WARREN RUPP, INC. BRAND

Table of Contents

SECTION 1: PUMP SPECIFICATIONS.....1

- Explanation of Nomenclature
- Performance
- Materials
- Dimensional Drawings

SECTION 2: INSTALLATION & OPERATION ...5

- Principle of Pump Operation
- Recommended Installation Guide
- Troubleshooting Guide

SECTION 3: EXPLODED VIEW.....8

- Composite Repair Parts Drawing
- Composite Repair Parts List
- Material Codes

SECTION 4: AIR END11

- Air Distribution Valve Assembly
- Air Valve with Stroke Indicator Assembly
- Pilot Valve Assembly
- Intermediate Assembly

SECTION 5: WET END.....17

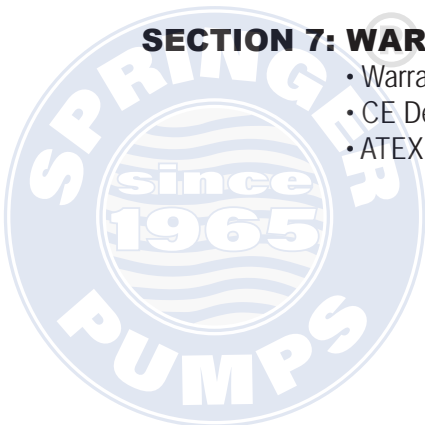
- Diaphragm Drawings
- Diaphragm Servicing

SECTION 6: OPTIONAL CONFIGURATIONS .19

- Solenoid Shifted Air Valve

SECTION 7: WARRANTY & CERTIFICATES ..20

- Warranty
- CE Declaration of Conformity - Machinery
- ATEX Declaration of Conformity



SANDPIPERPUMP.COM

s07nmdl1sm-rev1222

Tel: 866-777-6060
Fax: 866-777-6383
Int'l: +001 267 404 2910

Springer Pumps, LLC
Springer Parts®

Websites: www.springerpumps.com
www.springerparts.com

1: PUMP SPECS

2: INSTAL & OP

3: EXP VIEW

4: AIR END

5: WET END

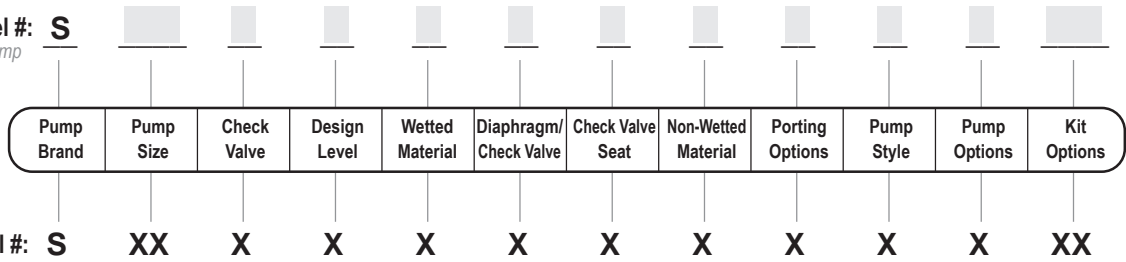
6: OPTIONAL

7: WARRANTY

Explanation of Pump Nomenclature

1: PUMP SPECS

Your Model #: **S**
(fill in from pump nameplate)



Pump Brand

S SANDPIPER®

Pump Size

07 3/4"

Check Valve Type

B Ball
T Trihedral

Design Level

1 Design Level 1

Wetted Material

K PVDF
N Nylon
P Polypropylene

Diaphragm/Check Valve Materials

1 Santoprene/Santoprene
2 Virgin PTFE-Santoprene Backup/Virgin PTFE
7 Santoprene/Nitrile
8 Virgin PTFE-Santoprene Backup/FKM
B Nitrile/Nitrile
U Polyurethane/Polyurethane
Z One-Piece Bonded/PTFE

Check Valve Seat

K PVDF
N Nylon
P Polypropylene

Non-Wetted Material Options

P Polypropylene
I Polypropylene with PTFE Hardware

Porting Options

N NPT Threads
1 Dual Porting (NPT)
2 Top Dual Porting (NPT)
3 Bottom Dual Porting (NPT)
B BSP Threads (tapered)
4 Dual Porting (BSP) (tapered)
5 Top Dual Porting (BSP) (tapered)
6 Bottom Dual Porting (BSP) (tapered)

Pump Style

S Standard

Pump Options

0 None
6 Metal Muffler

Kit Options

00. None
P0. 10-30VDC Pulse Output Kit
P1. Intrinsically-Safe 5-30VDC, 110/120VAC, 220/240VAC Pulse Output Kit
P2. 110/120 or 220/240VAC Pulse Output Kit
E0. Solenoid Kit w/24VDC Coil
E1. Solenoid Kit 24VDC Explosion-Proof Coil
E2. Solenoid Kit w/24VAC/12VDC Coil
E3. Solenoid Kit w/12VDC Explosion-Proof Coil
E4. Solenoid Kit w/110VAC Coil
E5. Solenoid Kit w/110VAC 60 Hz Explosion-Proof Coil

E6. Solenoid Kit w/220VAC Coil
E7. Solenoid Kit w/220VAC 60 Hz Explosion-Proof Coil
E8. Solenoid Kit w/110VAC 50 Hz Explosion-Proof Coil
E9. Solenoid Kit w/230VAC 50 Hz Explosion-Proof Coil
SP Stroke Indicator Pins

Your Serial #: (fill in from pump nameplate) _____



Note: Pump models equipped with these explosion-proof solenoid kit options E1, E3, E5, E7, E8 or E9, are certified and approved by the above agencies. They are NOT ATEX compliant.



Performance

S07 NON-METALLIC

SUCTION/DISCHARGE PORT SIZE

- 3/4" NPT (internal)
- 3/4" BSP Tapered (internal)
- 1 1/2" NPT (external)
- 1 1/2" BSP (external)

CAPACITY

- 0 to 23 US gallons per minute (0 to 87 liters per minute)

AIR DISTRIBUTION VALVE

- No-lube, no-stall design

SOLIDS-HANDLING

- Up to .15 in. (4mm)

HEADS UP TO

- 100 psi or 231 ft. of water (7 bar or 70 meters)

DISPLACEMENT/STROKE

- .026 Gallon / .098 liter

MAX OPERATING PRESSURE

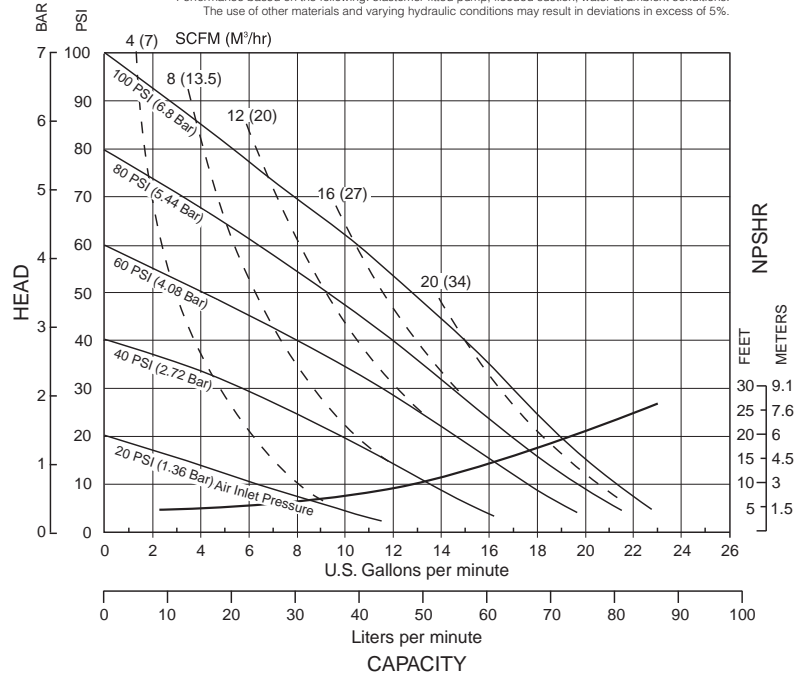
- 100 psi (6.8 bar)

SHIPPING WEIGHT

- PVDF 21 lbs. (9.5kg)
- Polypropylene 18 lbs. (9kg)
- Nylon 17lbs. (8kg)

MODEL S07 Ball Valve Non-Metallic Performance Curve

Performance based on the following: elastomer fitted pump, flooded suction, water at ambient conditions. The use of other materials and varying hydraulic conditions may result in deviations in excess of 5%.



Materials

Material Profile:	Operating Temperatures:	
	Max.	Min.
CAUTION! Operating temperature limitations are as follows:		
Conductive Acetal: Tough, impact resistant, ductile. Good abrasion resistance and low friction surface. Generally inert, with good chemical resistance except for strong acids and oxidizing agents.	190°F 88°C	-20°F -29°C
EPDM: Shows very good water and chemical resistance. Has poor resistance to oils and solvents, but is fair in ketones and alcohols.	280°F 138°C	-40°F -40°C
FKM (Fluorocarbon): Shows good resistance to a wide range of oils and solvents; especially all aliphatic, aromatic and halogenated hydrocarbons, acids, animal and vegetable oils. Hot water or hot aqueous solutions (over 70°F(21°C)) will attack FKM.	350°F 177°C	-40°F -40°C
Hytrel®: Good on acids, bases, amines and glycols at room temperatures only.	220°F 104°C	-20°F -29°C
Neoprene: All purpose. Resistance to vegetable oils. Generally not affected by moderate chemicals, fats, greases and many oils and solvents. Generally attacked by strong oxidizing acids, ketones, esters and nitro hydrocarbons and chlorinated aromatic hydrocarbons.	200°F 93°C	-10°F -23°C
Nitrile: General purpose, oil-resistant. Shows good solvent, oil, water and hydraulic fluid resistance. Should not be used with highly polar solvents like acetone and MEK, ozone, chlorinated hydrocarbons and nitro hydrocarbons.	190°F 88°C	-10°F -23°C
Nylon: 6/6 High strength and toughness over a wide temperature range. Moderate to good resistance to fuels, oils and chemicals.	180°F 82°C	32°F 0°C

Ambient temperature range: -20°C to +40°C
Process temperature range: -20°C to +80°C for models rated as category 1 equipment
 -20°C to +100°C for models rated as category 2 equipment

In addition, the ambient temperature range and the process temperature range do not exceed the operating temperature range of the applied non-metallic parts as listed in the manuals of the pumps.

Polypropylene: A thermoplastic polymer. Moderate tensile and flex strength. Resists strong acids and alkali. Attacked by chlorine, fuming nitric acid and other strong oxidizing agents.	180°F 82°C	32°F 0°C
PVDF: (Polyvinylidene Fluoride) A durable fluoroplastic with excellent chemical resistance. Excellent for UV applications. High tensile strength and impact resistance.	250°F 121°C	0°F -18°C
Santoprene®: Injection molded thermoplastic elastomer with no fabric layer. Long mechanical flex life. Excellent abrasion resistance.	275°F 135°C	-40°F -40°C
UHMW PE: A thermoplastic that is highly resistant to a broad range of chemicals. Exhibits outstanding abrasion and impact resistance, along with environmental stress-cracking resistance.	180°F 82°C	-35°F -37°C
Urethane: Shows good resistance to abrasives. Has poor resistance to most solvents and oils.	150°F 66°C	32°F 0°C
Virgin PTFE: (PFA/TFE) Chemically inert, virtually impervious. Very few chemicals are known to chemically react with PTFE; molten alkali metals, turbulent liquid or gaseous fluorine and a few fluoro-chemicals such as chlorine trifluoride or oxygen difluoride which readily liberate free fluorine at elevated temperatures.	220°F 104°C	-35°F -37°C

Maximum and Minimum Temperatures are the limits for which these materials can be operated. Temperatures coupled with pressure affect the longevity of diaphragm pump components. Maximum life should not be expected at the extreme limits of the temperature ranges.

Metals:		
Alloy C: Equal to ASTM494 CW-12M-1 specification for nickel and nickel alloy.		
Stainless Steel: Equal to or exceeding ASTM specification A743 CF-8M for corrosion resistant iron chromium, iron chromium nickel and nickel based alloy castings for general applications. Commonly referred to as 316 Stainless Steel in the pump industry.		

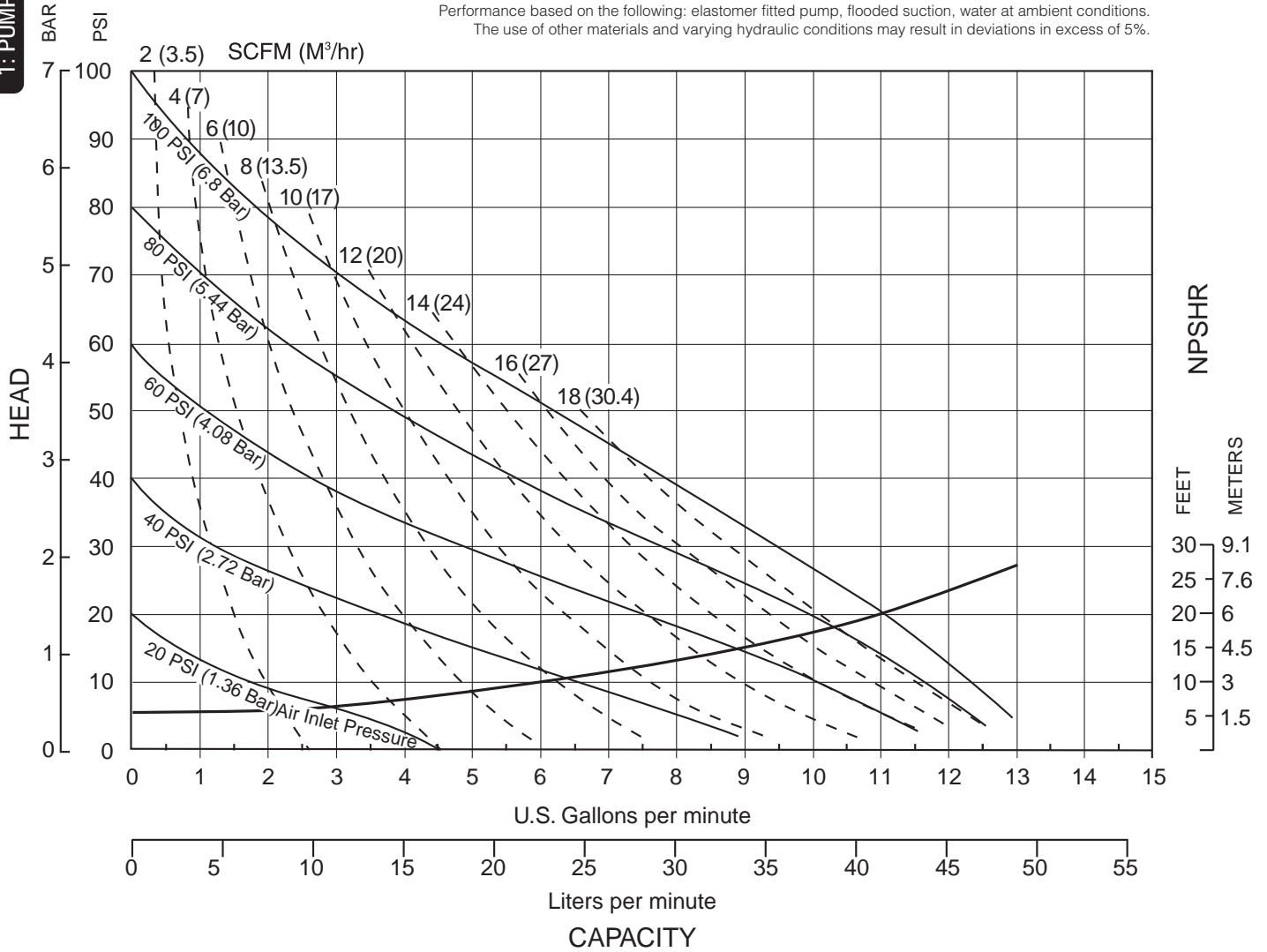
For specific applications, always consult the Chemical Resistance Chart.

S07 Non-Metallic Performance Curve, Trihedral Model

1: PUMP SPECS

MODEL S07 Trihedral Valve Performance Curve

Performance based on the following: elastomer fitted pump, flooded suction, water at ambient conditions.
The use of other materials and varying hydraulic conditions may result in deviations in excess of 5%.

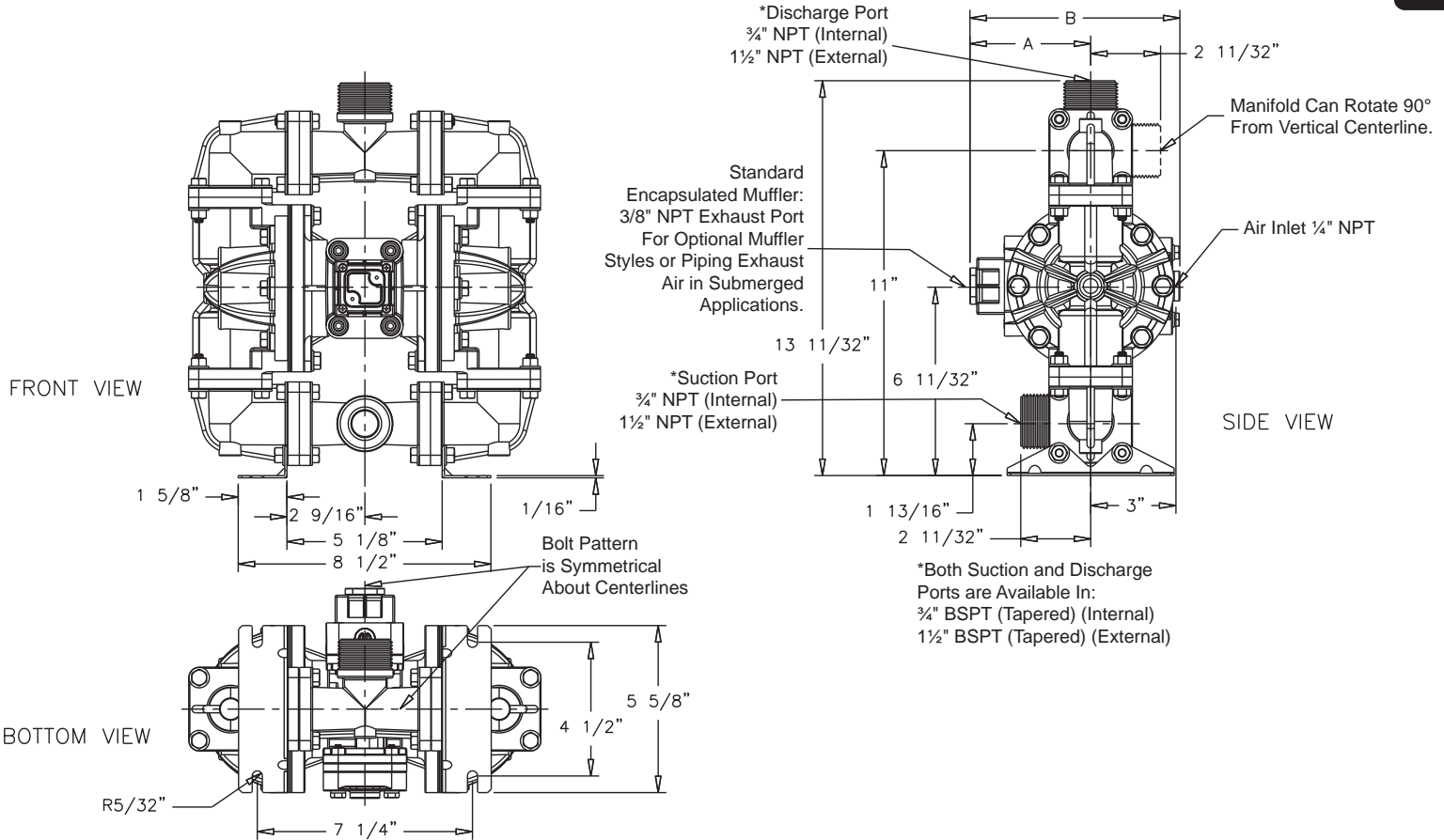


Dimensional Drawings

S07 Non-Metallic

Dimensions in inches (mm dimensions in brackets). Dimensional Tolerance: $\pm 1/8"$ ($\pm 3\text{mm}$)
 The dimensions on this drawing are for reference only. A certified drawing can be requested if physical dimensions are needed.

1: PUMP SPECS



Dimension	A	B
Standard Pump	4 1/16"	7 1/16"
Pulse Output Kit	4 1/16"	7 1/16"
Mesh Muffler	5 3/4"	9 15/16"



SANDPIPER
A WARREN RUPP INC. BRAND

SANDPIPERPUMP.COM

s07nmdl1sm-rev1222

Model S07 Non-Metallic • 7

Tel: 866-777-6060
 Fax: 866-777-6383
 Int'l: +001 267 404 2910

Springer Pumps, LLC
 Springer Parts®

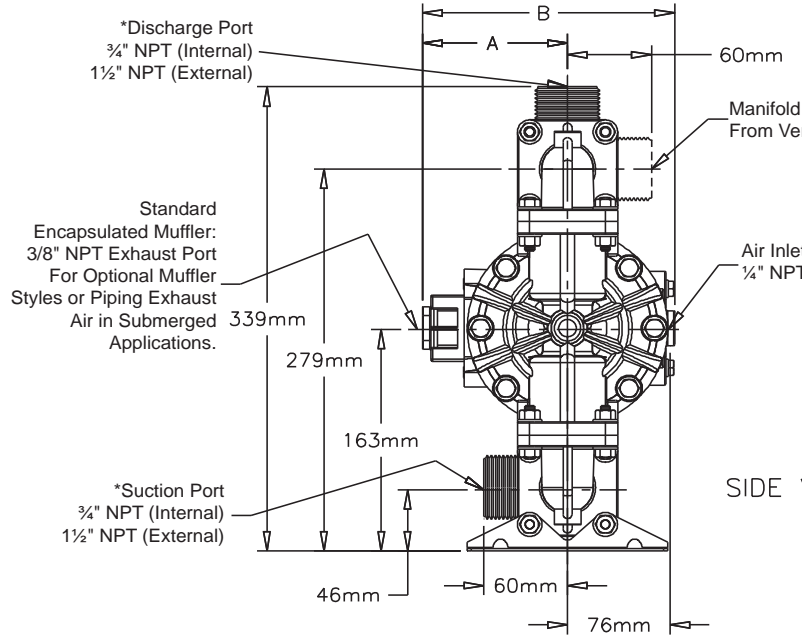
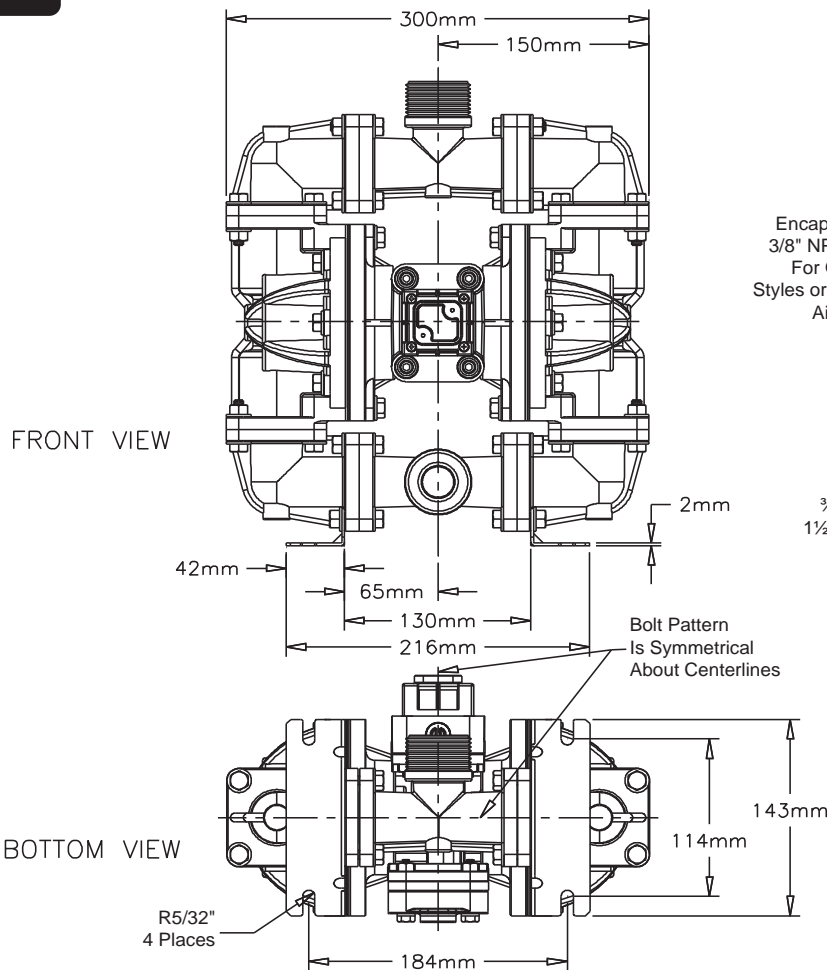
Websites: www.springerpumps.com
www.springerparts.com

Dimensional Drawings

S07 Non-Metallic-Metric

Dimensions in inches (mm dimensions in brackets). Dimensional Tolerance: $\pm 1/8"$ ($\pm 3\text{mm}$)
 The dimensions on this drawing are for reference only. A certified drawing can be requested if physical dimensions are needed.

1: PUMP SPECS

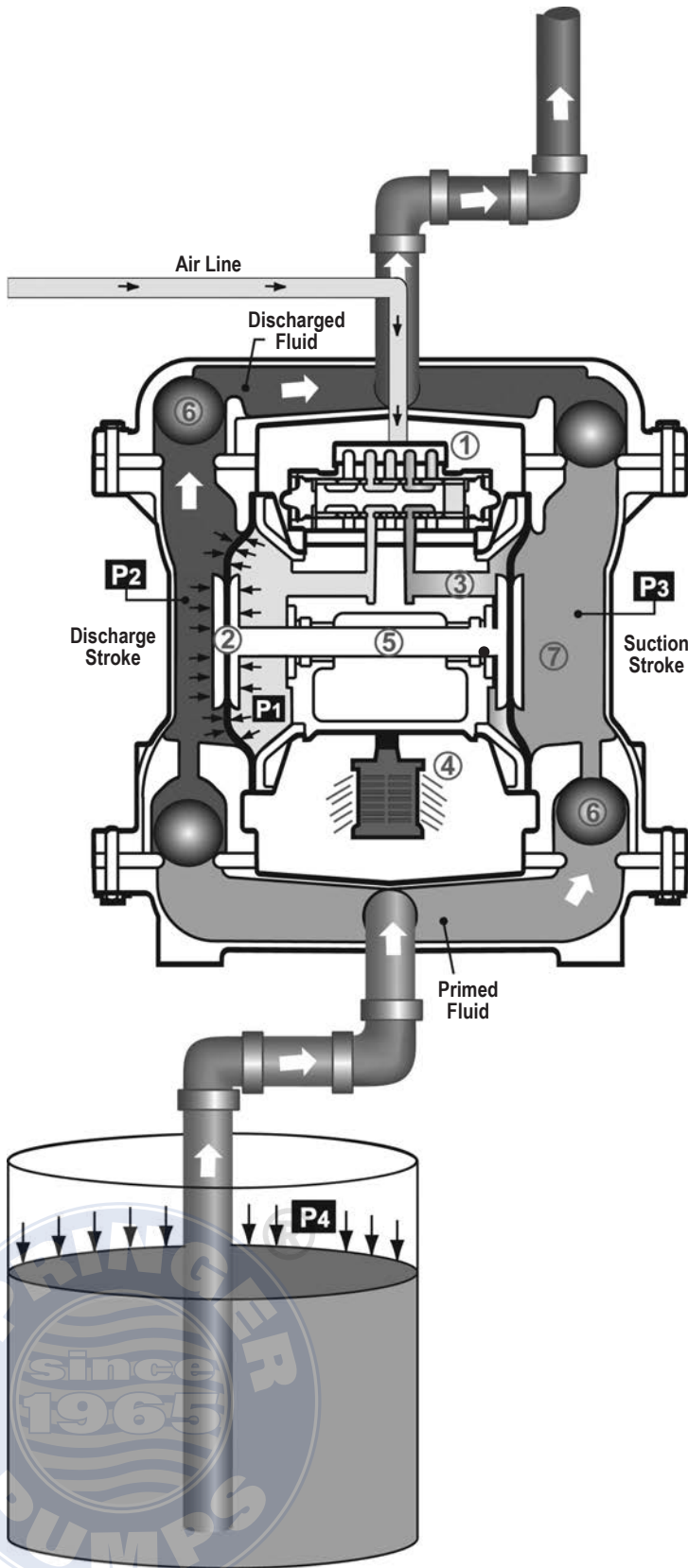


*Both Suction and Discharge Ports are Available In:
 3/4" BSPT (Tapered) (Internal)
 1 1/2" BSPT (Tapered) (External)

Dimension	A	B
Standard Pump	103mm	179mm
Pulse Output Kit	103mm	224mm
Mesh Muffler	146mm	222mm



Principle of Pump Operation



Air-Operated Double Diaphragm (AODD) pumps are powered by compressed air or nitrogen.

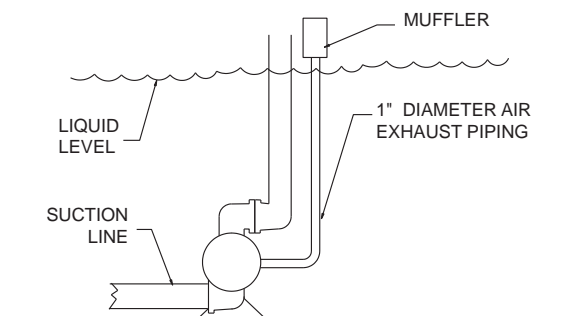
The main directional (air) control valve ① distributes compressed air to an air chamber, exerting uniform pressure over the inner surface of the diaphragm ②. At the same time, the exhausting air ③ from behind the opposite diaphragm is directed through the air valve assembly(s) to an exhaust port ④.

As inner chamber pressure (**P1**) exceeds liquid chamber pressure (**P2**), the rod ⑤ connected diaphragms shift together creating discharge on one side and suction on the opposite side. The discharged and primed liquid's directions are controlled by the check valves (ball or flap) ⑥ orientation.

The pump primes as a result of the suction stroke. The suction stroke lowers the chamber pressure (**P3**) increasing the chamber volume. This results in a pressure differential necessary for atmospheric pressure (**P4**) to push the fluid through the suction piping and across the suction side check valve and into the outer fluid chamber ⑦.

Suction (side) stroking also initiates the reciprocating (shifting, stroking or cycling) action of the pump. The suction diaphragm's movement is mechanically pulled through its stroke. The diaphragm's inner plate makes contact with an actuator plunger aligned to shift the pilot signaling valve. Once actuated, the pilot valve sends a pressure signal to the opposite end of the main directional air valve, redirecting the compressed air to the opposite inner chamber.

SUBMERGED ILLUSTRATION



Pump can be submerged if the pump materials of construction are compatible with the liquid being pumped. The air exhaust must be piped above the liquid level. When the pumped product source is at a higher level than the pump (flooded suction condition), pipe the exhaust higher than the product source to prevent siphoning spills.

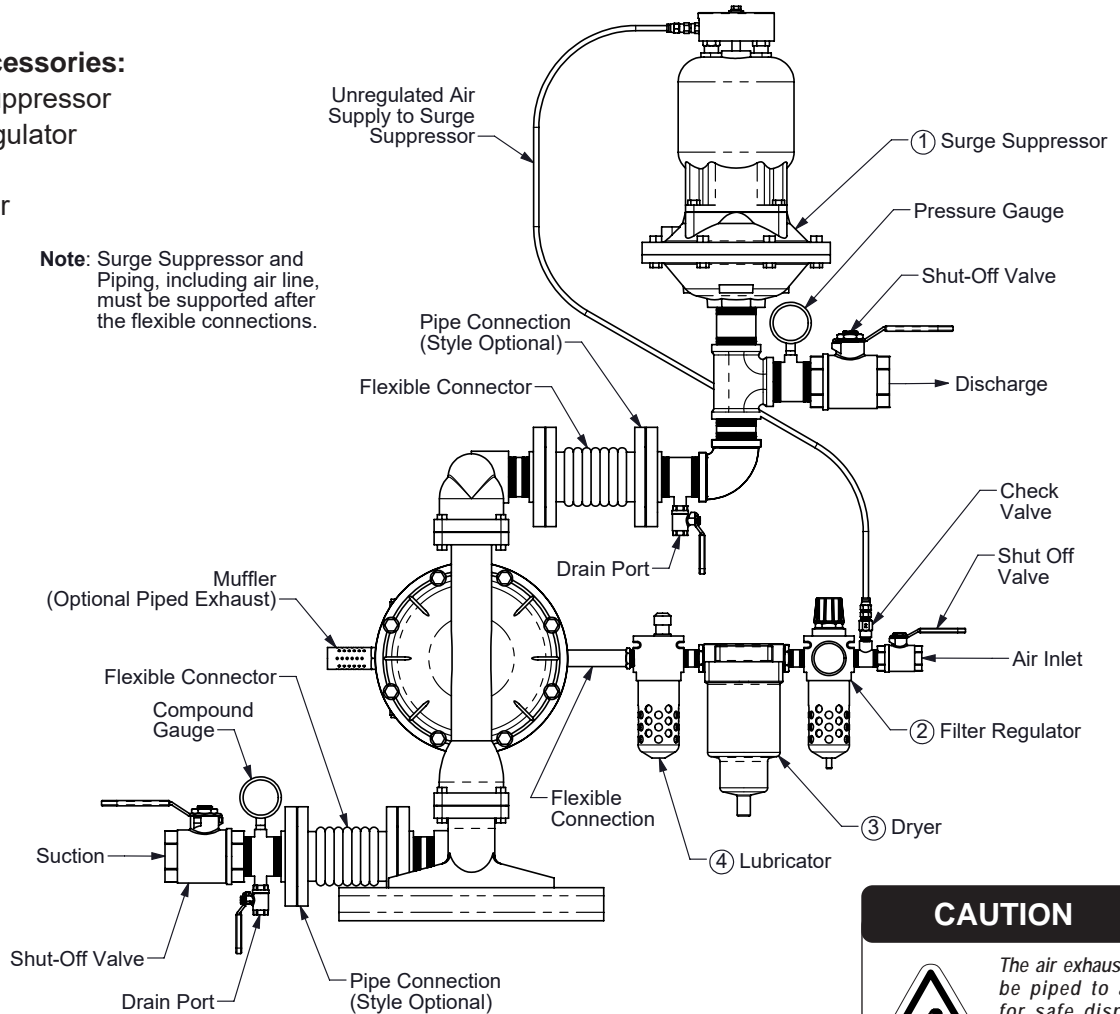
2. INSTAL & OP

Recommended Installation Guide

Available Accessories:

1. Surge Suppressor
2. Filter/Regulator
3. Air Dryer
4. Lubricator

Note: Surge Suppressor and Piping, including air line, must be supported after the flexible connections.



CAUTION



The air exhaust should be piped to an area for safe disposition of the product being pumped, in the event of a diaphragm failure.

Installation And Start-Up

Locate the pump as close to the product being pumped as possible. Keep the suction line length and number of fittings to a minimum. Do not reduce the suction line diameter.

Air Supply

Connect the pump air inlet to an air supply with sufficient capacity and pressure to achieve desired performance. A pressure regulating valve should be installed to insure air supply pressure does not exceed recommended limits.

Air Valve Lubrication

The air distribution system is designed to operate WITHOUT lubrication. This is the standard mode of operation. If lubrication is desired, install an air line lubricator set to deliver one drop of SAE 10 non-detergent oil for every 20 SCFM (9.4 liters/sec.) of air the pump consumes. Consult the Performance Curve to determine air consumption.

Air Line Moisture

Water in the compressed air supply may cause icing or freezing of the exhaust air, causing the pump to cycle erratically or stop operating. Water in the air supply can be reduced by using a point-of-use air dryer.

Air Inlet And Priming

To start the pump, slightly open the air shut-off valve. After the pump primes, the air valve can be opened to increase air flow as desired. If opening the valve increases cycling rate, but does not increase the rate of flow, cavitation has occurred. The valve should be closed slightly to obtain the most efficient air flow to pump flow ratio.

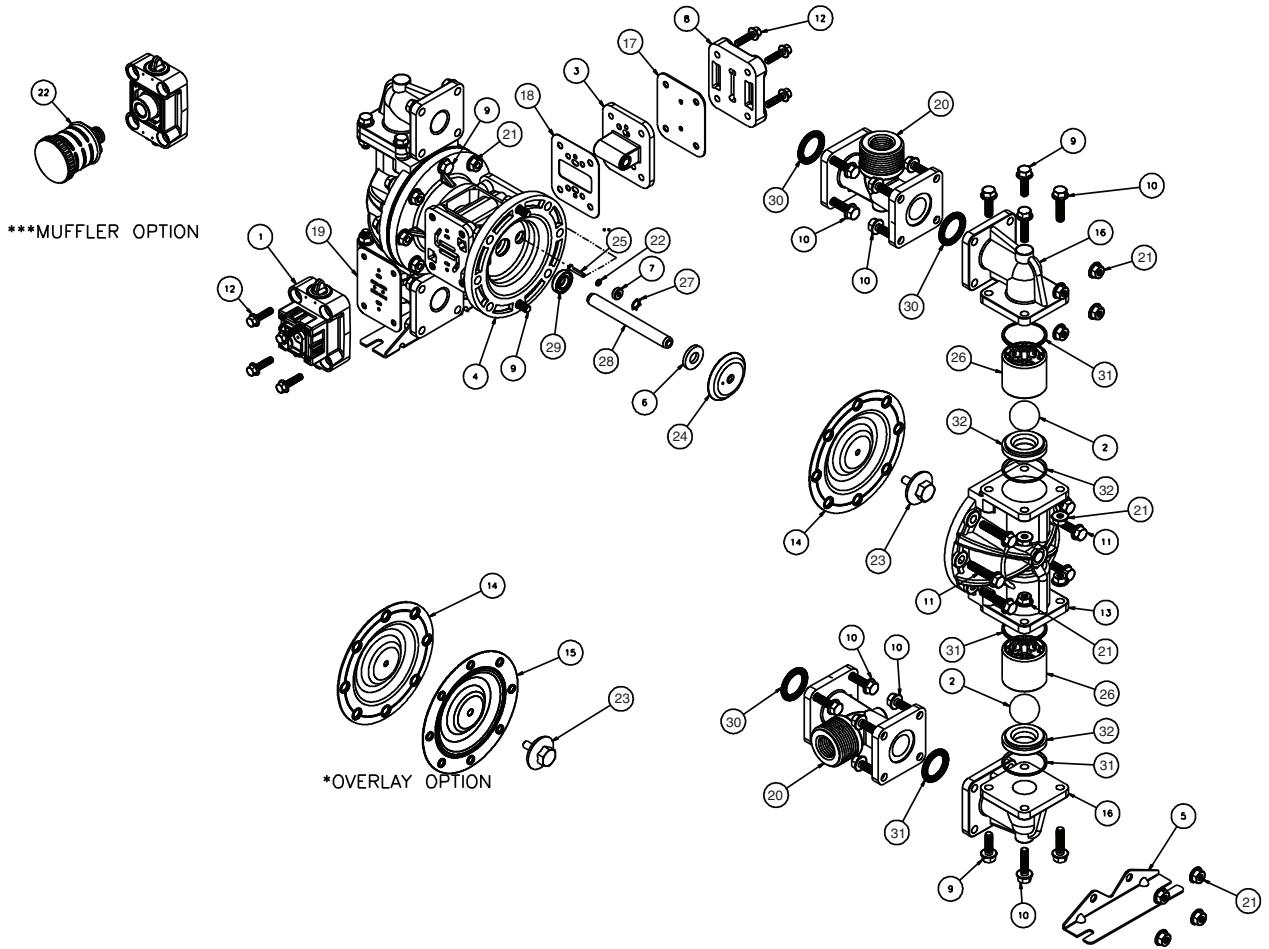
Troubleshooting Guide

Symptom:	Potential Cause(s):	Recommendation(s):
Pump Cycles Once	Deadhead (system pressure meets or exceeds air supply pressure).	Increase the inlet air pressure to the pump. Pump is designed for 1:1 pressure ratio at zero flow. (Does not apply to high pressure 2:1 units).
	Air valve or intermediate gaskets installed incorrectly.	Install gaskets with holes properly aligned.
	Bent or missing actuator plunger.	Remove pilot valve and inspect actuator plungers.
Pump Will Not Operate / Cycle	Pump is over lubricated.	Set lubricator on lowest possible setting or remove. Units are designed for lube free operation.
	Lack of air (line size, PSI, CFM).	Check the air line size and length, compressor capacity (HP vs. CFM required).
	Check air distribution system.	Disassemble and inspect main air distribution valve, pilot valve and pilot valve actuators.
	Discharge line is blocked or clogged manifolds.	Check for inadvertently closed discharge line valves. Clean discharge manifolds/piping.
	Deadhead (system pressure meets or exceeds air supply pressure).	Increase the inlet air pressure to the pump. Pump is designed for 1:1 pressure ratio at zero flow. (Does not apply to high pressure 2:1 units).
	Blocked air exhaust muffler.	Remove muffler screen, clean or de-ice, and re-install.
	Pumped fluid in air exhaust muffler.	Disassemble pump chambers. Inspect for diaphragm rupture or loose diaphragm plate assembly.
Pump Cycles and Will Not Prime or No Flow	Pump chamber is blocked.	Disassemble and inspect wetted chambers. Remove or flush any obstructions.
	Cavitation on suction side.	Check suction condition (move pump closer to product).
	Check valve obstructed. Valve ball(s) not seating properly or sticking.	Disassemble the wet end of the pump and manually dislodge obstruction in the check valve pocket. Clean out around valve ball cage and valve seat area. Replace valve ball or valve seat if damaged. Use heavier valve ball material.
	Valve ball(s) missing (pushed into chamber or manifold).	Worn valve ball or valve seat. Worn fingers in valve ball cage (replace part). Check Chemical Resistance Guide for compatibility.
	Valve ball(s) / seat(s) damaged or attacked by product.	Check Chemical Resistance Guide for compatibility.
	Check valve and/or seat is worn or needs adjusting.	Inspect check valves and seats for wear and proper setting. Replace if necessary.
	Suction line is blocked.	Remove or flush obstruction. Check and clear all suction screens or strainers.
	Excessive suction lift.	For lifts exceeding 20' of liquid, filling the chambers with liquid will prime the pump in most cases.
	Suction side air leakage or air in product.	Visually inspect all suction-side gaskets and pipe connections.
Pump Cycles Running Sluggish / Stalling, Flow Unsatisfactory	Pumped fluid in air exhaust muffler.	Disassemble pump chambers. Inspect for diaphragm rupture or loose diaphragm plate assembly.
	Over lubrication.	Set lubricator on lowest possible setting or remove. Units are designed for lube free operation.
	Icing.	Remove muffler screen, de-ice, and re-install. Install a point of use air drier.
	Clogged manifolds.	Clean manifolds to allow proper air flow.
	Deadhead (system pressure meets or exceeds air supply pressure).	Increase the inlet air pressure to the pump. Pump is designed for 1:1 pressure ratio at zero flow. (Does not apply to high pressure 2:1 units).
	Cavitation on suction side.	Check suction (move pump closer to product).
	Lack of air (line size, PSI, CFM).	Check the air line size, length, compressor capacity.
	Excessive suction lift.	For lifts exceeding 20' of liquid, filling the chambers with liquid will prime the pump in most cases.
	Air supply pressure or volume exceeds system hd.	Decrease inlet air (press. and vol.) to the pump. Pump is cavitating the fluid by fast cycling.
	Undersized suction line.	Meet or exceed pump connections.
	Restrictive or undersized air line.	Install a larger air line and connection.
	Suction side air leakage or air in product.	Visually inspect all suction-side gaskets and pipe connections.
	Suction line is blocked.	Remove or flush obstruction. Check and clear all suction screens or strainers.
	Pumped fluid in air exhaust muffler.	Disassemble pump chambers. Inspect for diaphragm rupture or loose diaphragm plate assembly.
	Product Leaking Through Exhaust	Check valve obstructed.
Check valve and/or seat is worn or needs adjusting.		Inspect check valves and seats for wear and proper setting. Replace if necessary.
Entrained air or vapor lock in chamber(s).		Purge chambers through tapped chamber vent plugs. Purging the chambers of air can be dangerous.
Premature Diaphragm Failure	Diaphragm failure, or diaphragm plates loose.	Replace diaphragms, check for damage and ensure diaphragm plates are tight.
	Diaphragm stretched around center hole or bolt holes.	Check for excessive inlet pressure or air pressure. Consult Chemical Resistance Chart for compatibility with products, cleaners, temperature limitations and lubrication.
Unbalanced Cycling	Cavitation.	Enlarge pipe diameter on suction side of pump.
	Excessive flooded suction pressure.	Move pump closer to product. Raise pump/place pump on top of tank to reduce inlet pressure. Install Back pressure device (Tech bulletin 41r). Add accumulation tank or pulsation dampener.
	Misapplication (chemical/physical incompatibility).	Consult Chemical Resistance Chart for compatibility with products, cleaners, temperature limitations and lubrication.
	Incorrect diaphragm plates or plates on backwards, installed incorrectly or worn.	Check Operating Manual to check for correct part and installation. Ensure outer plates have not been worn to a sharp edge.
Unbalanced Cycling	Excessive suction lift.	For lifts exceeding 20' of liquid, filling the chambers with liquid will prime the pump in most cases.
	Undersized suction line.	Meet or exceed pump connections.
	Pumped fluid in air exhaust muffler.	Disassemble pump chambers. Inspect for diaphragm rupture or loose diaphragm plate assembly.
	Suction side air leakage or air in product.	Visually inspect all suction-side gaskets and pipe connections.
	Check valve obstructed.	Disassemble the wet end of the pump and manually dislodge obstruction in the check valve pocket.
	Check valve and/or seat is worn or needs adjusting.	Inspect check valves and seats for wear and proper setting. Replace if necessary.
	Entrained air or vapor lock in chamber(s).	Purge chambers through tapped chamber vent plugs.

For additional troubleshooting tips contact After Sales Support at service.warrenrupp@idexcorp.com or 419-524-8388



Composite Repair Parts Drawing



3: EXP VIEW

Service & Repair Kits

- 476.219.000 AIR END KIT**
Seals, O-rings, Gaskets, Bumpers Retaining Rings, Air Valve Assembly and Pilot Valve Assembly.
- 476.220.000 AIR END KIT**
for pumps equipped with Stroke Indicator (same components as above, except Valve Assembly with pins replaces Air Valve Standard).
- 476.166.354 WETTED END KIT**
Santoprene Diaphragms, Santoprene Check Balls and TFE Seals.
- 476.166.357 WETTED END KIT**
Polyurethane Diaphragms, Polyurethane Check Balls and TFE Seals.
- 476.166.650 WETTED END KIT**
PTFE/Santoprene Bond Diaphragm, PTFE Check Balls and PTFE Seals.
- 476.166.654 WETTED END KIT**
Santoprene Diaphragms, TFE Overlay Diaphragm, TFE Check Balls and TFE Seals.

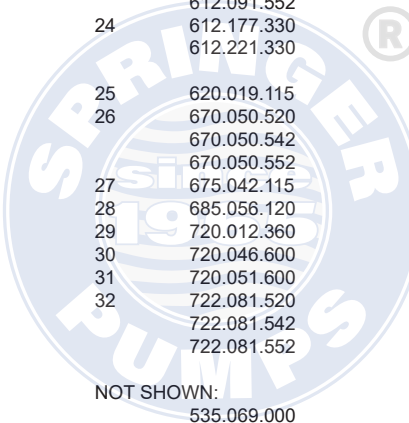
- 476.180.657 WETTED END KIT (S07T)**
Santoprene Diaphragms, Nitrile Trihedral Valve Components, Nitrile Spacer Gaskets, and TFE Manifold Seals.
- 476.180.658 WETTED END KIT (S07T)**
Santoprene Backup Diaphragms, TFE Overlay Diaphragms, FKM Trihedral Valve Components, and TFE Manifold Seals.
- 476.166.659 WETTED END KITS**
One Piece Bonded PTFE/Nitrile Diaphragm PTFE Balss, PTFE Seats
- 476.180.360 WETTED END KITS (S07T)**
Nitrile Diaphragms, Nitrile Trihedral Valves, PTFE Seals.

****Note:** Pumps equipped with these components are not ATEX compliant.

Composite Repair Parts List

ITEM	PART NUMBER	DESCRIPTION	QTY	
1	031.166.000	Air Valve Assembly (Integral Muffler)	1	
	031.166.002	Air Valve Assembly (with PTFE Coated Hardware)	1	
	031.167.000	Air Valve Assembly (with stroke Indicator Pins)	1	
	031.167.002	Air Valve Assembly (with Stroke Indicator Pins and PTFE Coated Hardware)	1	
	031.168.000	Air Valve Assembly (Optional Mufflers)	1	
	031.169.000	Air Valve Assembly (Stroke Indicator & Optional Mufflers)	1	
	031.176.000	Air Valve (High Temperature)	1	
	031.177.000	Air Valve (High Temperature With Mufflers)	1	
	2	050.028.354	Ball, Check Valve	4
		050.028.357	Ball, Check Valve	4
050.028.600		Ball, Check Valve	4	
050.028.760		Ball, Check	4	
095.091.000		Pilot Valve Assembly	1	
3	095.091.003	Pilot Valve Assembly (Conductive Acetal)	1	
	114.023.551	Bracket, Intermediate	1	
5	115.141.115	Bracket, Mounting	2	
6	132.034.360	Bumper, Diaphragm	2	
7	135.036.506	Bushing, Plunger	2	
8	165.110.551	Cap, Air Inlet	1	
9	171.062.115	Capscrew, Flanged 5/16-18 x 1.00	8	
	171.-062-308	Capscrew, Flanged 5/16-18 x 1.00	8	
	171.075.115	Capscrew, Flanged 5/16-18 x 1.00	4	
	171.063.115	Capscrew, Flanged 5/16-18 x 1.25	24	
10	171.063.308	Capscrew, Flanged 5/16-18 x 1.25	24	
	171.064.115	Capscrew, Flanged 5/16-18 x 1.50	12	
11	171.064.308	Capscrew, Flanged 5/16-18 x 1.50	12	
	171.066.115	Capscrew, Flanged 1/4-20 x 1.25	8	
12	171.066.308	Capscrew, Flanged 1/4-20 x 1.25	8	
	196.162.520	Chamber, Outer	2	
13	196.162.542	Chamber, Outer	2	
	196.162.552	Chamber, Outer	2	
	286.095.354	Diaphragm	2	
14	286.095.360	Diaphragm	2	
	286.116.000	Diaphragm, One-Piece Bonded	2	
	286.096.600	Diaphragm, Overlay	2	
15	312.107.520	Elbow	4	
16	312.107.542	Elbow	4	
	312.107.552	Elbow	4	
	360.100.360	Gasket, Air Inlet	1	
17	360.100.379	Gasket, Air Inlet (Solenoid Option Only)	1	
	360.101.360	Gasket, Pilot Valve	1	
18	360.102.360	Gasket, Air Valve	1	
20	518.139.520	Manifold (NPT)	2	
	518.139.520E	Manifold (BSPT), tapered	2	
	518.139.542	Manifold (NPT)	2	
	518.139.542E	Manifold (BSPT), tapered	2	
	518.139.552	Manifold (NPT)	2	
	518.139.552E	Manifold (BSPT), tapered	2	
	544.005.115	Nut, Flanged 5/16-18	36	
	544.005.308	Nut, Flanged 5/16-18	36	
22	560.001.360	O-ring	2	
23	612.091.520	Plate, Outer Diaphragm	2	
	612.091.542	Plate, Outer Diaphragm	2	
	612.091.552	Plate, Outer Diaphragm	2	
24	612.177.330	Plate, Inner Diaphragm	2	
	612.221.330	Plate, Inner (use with 2 One-Piece Bonded Diaphragm Only)	2	
	620.019.115	Plunger, Actuator	2	
26	670.050.520	Retainer, Ball	4	
	670.050.542	Retainer, Ball	4	
	670.050.552	Retainer, Ball	4	
27	675.042.115	Ring, Retaining	2	
28	685.056.120	Rod, Diaphragm	1	
29	720.012.360	Seal, Diaphragm Rod	2	
30	720.046.600	Seal, Manifold	4	
31	720.051.600	Seal, Check Valve Retainer	8	
32	722.081.520	Seat, Check Valve	4	
	722.081.542	Seat, Check Valve	4	
	722.081.552	Seat, Check Valve	4	
NOT SHOWN:	535.069.000	Nameplate		

3: EXP VIEW



Material Codes - The Last 3 Digits of Part Number

3: EXP VIEW

000.....Assembly, sub-assembly;
and some purchased items
010.....Cast Iron
015.....Ductile Iron
020.....Ferritic Malleable Iron
080.....Carbon Steel, AISI B-1112
110.....Alloy Type 316 Stainless Steel
111.....Alloy Type 316 Stainless Steel
(Electro Polished)
112.....Alloy C
113.....Alloy Type 316 Stainless Steel
(Hand Polished)
114.....303 Stainless Steel
115.....302/304 Stainless Steel
117.....440-C Stainless Steel (Martensitic)
120.....416 Stainless Steel
(Wrought Martensitic)
148.....Hardcoat Anodized Aluminum
150.....6061-T6 Aluminum
152.....2024-T4 Aluminum (2023-T351)
155.....356-T6 Aluminum
156.....356-T6 Aluminum
157.....Die Cast Aluminum Alloy #380
158.....Aluminum Alloy SR-319
162.....Brass, Yellow, Screw Machine Stock
165.....Cast Bronze, 85-5-5-5
166.....Bronze, SAE 660
170.....Bronze, Bearing Type,
Oil Impregnated
180.....Copper Alloy
305.....Carbon Steel, Black Epoxy Coated
306.....Carbon Steel, Black PTFE Coated
307.....Aluminum, Black Epoxy Coated
308.....Stainless Steel, Black PTFE Coated
309.....Aluminum, Black PTFE Coated
313.....Aluminum, White Epoxy Coated
330.....Zinc Plated Steel
332.....Aluminum, Electroless Nickel Plated
333.....Carbon Steel, Electroless
Nickel Plated
335.....Galvanized Steel
337.....Silver Plated Steel
351.....Food Grade Santoprene®
353.....Geolast: Color: Black
354.....Injection Molded #203-40
Santoprene® Duro 40D +/-5;
Color: RED
356.....Hytrel®
357.....Injection Molded Polyurethane
358.....Urethane Rubber
(Some Applications)
(Compression Mold)
359.....Urethane Rubber
360.....Nitrile Rubber Color coded: RED
363.....FKM (Fluorocarbon)
Color coded: YELLOW
364.....EPDM Rubber
Color coded: BLUE
365.....Neoprene Rubber
Color coded: GREEN

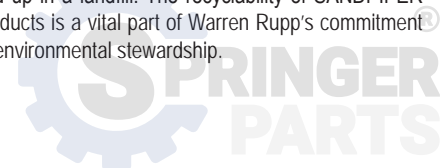
366.....Food Grade Nitrile
368.....Food Grade EPDM
371.....Phillthane (Tuftane)
374.....Carboxylated Nitrile
375.....Fluorinated Nitrile
378.....High Density Polypropylene
379.....Conductive Nitrile
408.....Cork and Neoprene
425.....Compressed Fibre
426.....Blue Gard
440.....Vegetable Fibre
500.....Delrin® 500
502.....Conductive Acetal, ESD-800
503.....Conductive Acetal, Glass-Filled
506.....Delrin® 150
520.....Injection Molded PVDF
Natural color
540.....Nylon
542.....Nylon
544.....Nylon Injection Molded
550.....Polyethylene
551.....Glass Filled Polypropylene
552.....Unfilled Polypropylene
555.....Polyvinyl Chloride
556.....Black Vinyl
557.....Unfilled Conductive Polypropylene
558.....Conductive HDPE
559.....Glass Filled - Conductive Polypropylene
558.....Conductive HDPE
570.....Rulon II®
580.....Ryton®
600.....PTFE (virgin material)
Tetrafluorocarbon (TFE)
603.....Blue Gylon®
604.....PTFE
606.....PTFE
607.....Envelon
608.....Conductive PTFE
610.....PTFE Encapsulated Silicon
611.....PTFE Encapsulated FKM
632.....Neoprene/Hytrel®
633.....FKM/PTFE
634.....EPDM/PTFE
635.....Neoprene/PTFE
637.....PTFE, FKM/PTFE
638.....PTFE, Hytrel®/PTFE
639.....Nitrile/TFE
643.....Santoprene®/EPDM
644.....Santoprene®/PTFE
656.....Santoprene® Diaphragm and
Check Balls/EPDM Seats
661.....EPDM/Santoprene®
666.....FDA Nitrile Diaphragm,
PTFE Overlay, Balls, and Seals
668.....PTFE, FDA Santoprene®/PTFE
760.....UL Listed Nitrile

• Delrin and Hytrel are registered
tradenames of E.I. DuPont.

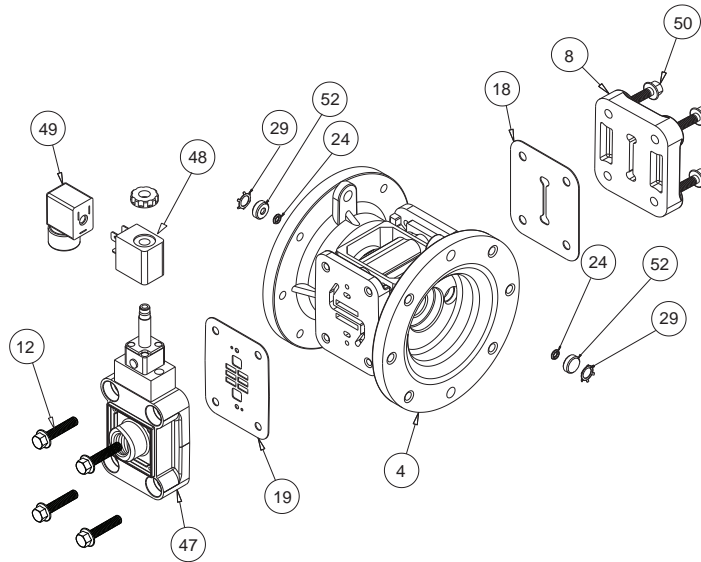
- Nylatron is a registered tradename
of Polymer Corp.
- Gylon is a registered tradename
of Garlock, Inc.
- Santoprene is a registered tradename
of Exxon Mobil Corp.
- Rulon II is a registered tradename
of Dixon Industries Corp.
- Ryton is a registered tradename
of Phillips Chemical Co.
- Valox is a registered tradename
of General Electric Co.

RECYCLING

Warren Rupp is an ISO14001 registered company and is committed to minimizing the impact our products have on the environment. Many components of SANDPIPER® AODD pumps are made of recyclable materials. We encourage pump users to recycle worn out parts and pumps whenever possible, after any hazardous pumped fluids are thoroughly flushed. Pump users that recycle will gain the satisfaction to know that their discarded part(s) or pump will not end up in a landfill. The recyclability of SANDPIPER products is a vital part of Warren Rupp's commitment to environmental stewardship.



Solenoid Shifted Air Valve



DISTRIBUTION VALVE OPTION

Warren Rupp's solenoid shifted, air distribution valve option utilizes electrical signals to precisely control your SANDPIPER's speed. The solenoid coil is connected to a customer - supplied control. Compressed air provides the pumping power, while electrical signals control pump speed (pumping rate).

OPERATION

The Solenoid Shifted SANDPIPER has a solenoid operated, air distribution valve in place of the standard SANDPIPER's pilot operated, air distribution valve. Where a pilot valve is normally utilized to cycle the pump's air distribution valve, an electric solenoid is utilized. As the solenoid is powered, one of the pump's air chambers is pressurized while the other chamber is exhausted. When electric power is turned off, the solenoid shifts and the pressurized chamber is exhausted while the other chamber is pressurized. By alternately applying and removing power to the solenoid, the pump cycles much like a standard SANDPIPER pump, with one exception. This option provides a way to precisely control and monitor pump speed.

BEFORE INSTALLATION

Before wiring the solenoid, make certain it is compatible with your system voltage.

*Special Conditions For Safe Use

A fuse corresponding to its rated current (max. $3I_{rat}$ according IEC 60127-2-1) or a motor protecting switch with short-circuit and thermal instantaneous tripping (set to rated current) shall be connected in series to each solenoid as short circuit protection. For very low rated currents of the solenoid the fuse of lowest current value according to the indicated IEC standard will be sufficient. The fuse may be accommodated in the associated supply unit or shall be separately arranged. The rated voltage to the fuse shall be equal to or greater than the stated rated voltage of the magnet coil. The breakage capacity of the fuse-link shall be as high as or higher than the maximum expected short circuit current at the location of the installation (usually 1500 A). A maximum permissible ripple of 20% is valid for all magnets of direct-current design.

SOLENOID SHIFTED AIR VALVE PARTS LIST

ITEM	PART NUMBER	DESCRIPTION	QTY
4	114.023.551	Bracket, Intermediate	1
47	893.099.000	Solenoid Valve, NEMA4	1
48	219.001.000	Solenoid Coil, 24VDC	1
	219.004.000	Solenoid Coil, 24VAC/12VDC	1
	219.002.000	Solenoid Coil, 120VAC	1
	219.003.000	Solenoid Coil, 240VAC	1
49	241.001.000	Connector, Conduit	1
50	171.065.115	Capscrew, Flanged 1/4-20 x 1.00	4
52	618.050.150	Plug (Replaces item 7)	2

For Explosion Proof Solenoid Coils:

48	219.009.001	Solenoid Coil, 120VAC 60Hz	1
	219.009.002	Solenoid Coil, 240VAC 60Hz	1
	219.009.003	Solenoid Coil, 12VDC	1
	219.009.004	Solenoid Coil, 24VDC	1
	219.009.005	Solenoid Coil, 110VAC 50Hz	1
	219.009.006	Solenoid Coil, 230VAC 50Hz	1

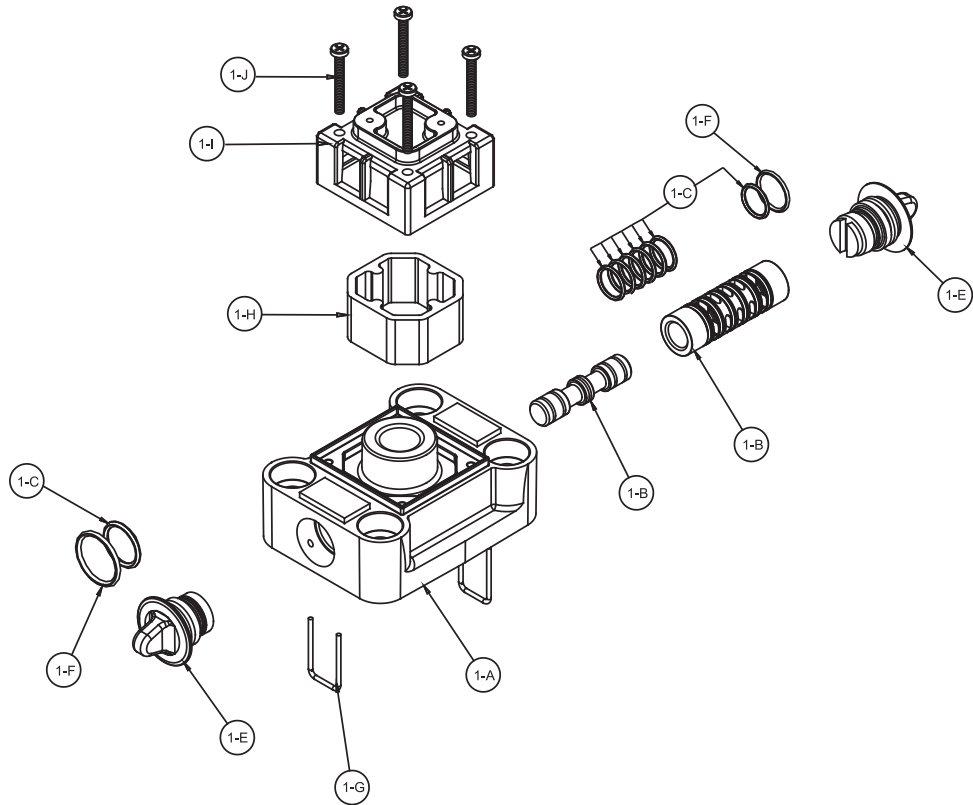
***◆ For ATEX Compliant Solenoid Coils used in the European Union**

39	219-011-001	Solenoid Coil, Single mounting 12 VDC, 3.3W / 267mA	1
	219-011-002	Solenoid Coil, Single mounting 24 VDC, 3.3W / 136mA	1
	219-011-003	Solenoid Coil, Single mounting 110/120 VAC, 3.4W / 29mA	1
	219-011-004	Solenoid Coil, Single mounting 220/240 VAC, 3.4W / 15mA	1

Note: Item 35 (Conduit Connector) is not required

Compressed Air Temperature Range: Maximum Ambient Temperature to plus 50°C

Air Distribution Valve Assembly



MAIN AIR VALVE ASSEMBLY PARTS LIST

Item	Part Number	Description	Qty
1	031.166.000	Air Valve Assembly	1
1-A	095.106.551	Body, Air Valve	1
1-B	031.132.000	Sleeve and Spool Set	1
1-C	560.101.360	O-Ring	8
1-E	165.122.551	End Cap	2
1-F	560.026.360	O-Ring	2
1-G	675.062.115	End Cap Retainer	2
1-H	530.031.550	Muffer	1
1-I	165.109.551	Muffer Cap	1
1-J	710.011.115	Self-Tapping Screw	4

For Pumps with Virgin PTFE coated hardware:

1	031.166.002	Air Valve Assembly	1
1-G	675.062.308	End Cap Retainer	2
1-J	710.011.308	Self Tapping Screw	4

(Includes all other items used on 031.166.000 above)

For Pumps with alternate Mesh or Sound Dampening Mufflers or Piped Exhaust:

1	031.168.000	Air Valve Assembly	1
---	-------------	--------------------	---

(Includes all items used on 031.166.000 above minus 1-H, 1-I and 1-J)

****Note:** Pumps equipped with this valve assembly are not ATEX compliant.

IMPORTANT



Read these instructions completely, before installation and start-up. It is the responsibility of the purchaser to retain this manual for reference. Failure to comply with the recommendations stated in this manual will damage the pump, and void factory warranty.



ATEX Compliant

4: AIR END

Air Distribution Valve Assembly

AIR DISTRIBUTION VALVE SERVICING

To service the air valve first shut off the compressed air, bleed pressure from the pump, and disconnect the air supply line from the pump.

STEP #1: See COMPOSITE REPAIR PARTS DRAWING.

Using a 3/8" wrench or socket, remove the four hex flanged capscrews (item 12). Remove the air valve assembly from the pump.

STEP #2: Disassembly of the air valve.

To access the internal air valve components first remove the two end cap retainers (item 1-G) by inserting a small flat screwdriver into the two slotted grooves on the valve body and gently lifting the retainers out.

Next remove the two end caps (item 1-E) by grasping the pull tab with finger and thumb or pliers and tugging. Inspect the two o-rings (items 1-C and 1-F) on each end cap for wear or cuts. Replace the o-rings if necessary.

Remove the spool (part of item 1-B) from the sleeve. Be careful not to scratch or damage the outer diameter of the spool. Wipe spool with a soft clean cloth and inspect for scratches or abrasive wear.

Inspect the inner diameter of the sleeve (part of item 1-B) for dirt, scratches, or other contaminants. Remove the sleeve if needed and replace with a new sleeve and spool set (item 1-B). **Note:** The sleeve and spool set is match-ground to a specified clearance. Sleeves and spools cannot be interchanged.

STEP #3: Reassembly of the air distribution valve.

Install one end cap with o-rings (items 1-E, 1-C, and 1-F) into one end of the air valve body (item 1-A). Insert one end cap retainer (item 1-G) into the two smaller holes, align with groove in the end cap, and push until the closed end of the retainer is below the flat surface of the valve body.

Remove the new sleeve and spool set (item 1-B) from the plastic bag. Carefully remove the spool from the sleeve. Install the six o-rings (item 1-C) into the six grooves on the sleeve. Apply a light coating of grease to the o-rings before installing the sleeve into the valve body. Align the slots in the sleeve with the slots in the valve body. Insert the spool into the sleeve. Be careful not to scratch or damage the spool during installation. Push the spool in until the pin touches the end cap on the opposite end.

Install the remaining end cap with o-rings and retainer.

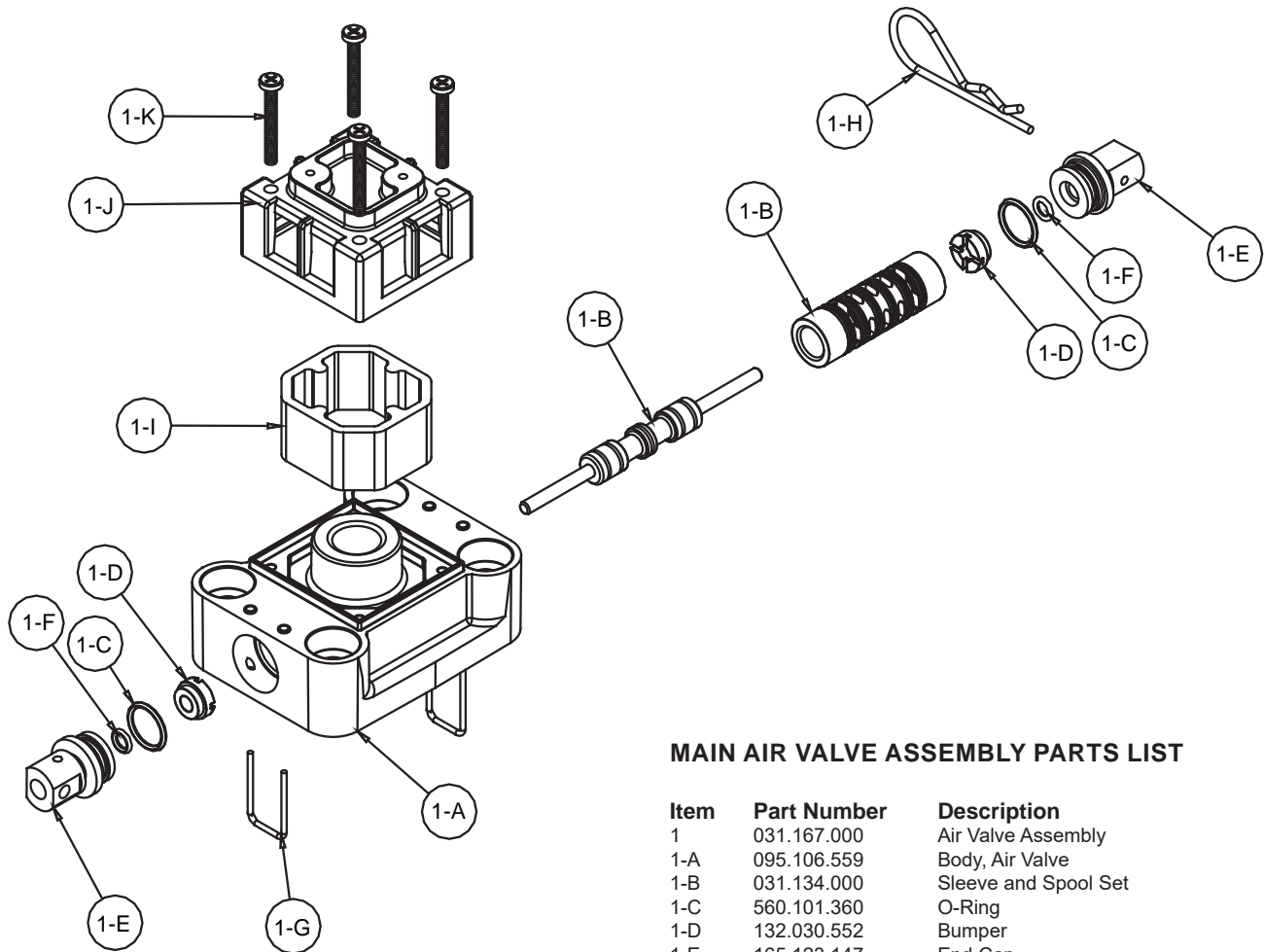
Fasten the air valve assembly (item 1) and gasket (item 23) to the pump, using the four hex flanged capscrews (item 12).

Connect the compressed air line to the pump. The pump is now ready for operation.



Air Valve with Stroke Indicator Assembly

Note: Stroke Indicator is standard on Spill Containment models



MAIN AIR VALVE ASSEMBLY PARTS LIST

Item	Part Number	Description	Qty
1	031.167.000	Air Valve Assembly	1
1-A	095.106.559	Body, Air Valve	1
1-B	031.134.000	Sleeve and Spool Set	1
1-C	560.101.360	O-Ring	8
1-D	132.030.552	Bumper	2
1-E	165.123.147	End Cap	2
1-F	560.029.360	O-Ring	2
1-G	675.062.115	End Cap Retainer	2
1-H	210.008.330	Safety Clip	1
1-I	530.031.550	Muffler	1
1-J	165.109.559	Muffler Cap	1
1-K	710.011.115	Self-Tapping Screw	4

For Pumps with Virgin PTFE coated hardware:

1	031.167.002	Air Valve Assembly	1
1-G	675.062.308	End Cap Retainer	2
1-J	710.011.308	Self Tapping Screw	4

(Includes all other items used on 031-166-000 above)

For Pumps with alternate Mesh or Sound Dampening Mufflers or Piped Exhaust:

1	031.169.000	Air Valve Assembly	1
---	-------------	--------------------	---

(Includes all items used on 031.167.000 above minus 1-H, 1-I and 1-J)



Air Valve with Stroke Indicator Assembly

AIR DISTRIBUTION VALVE WITH STROKE INDICATOR OPTION SERVICING

To service the air valve first shut off the compressed air, bleed pressure from the pump, and disconnect the air supply line from the pump.

STEP #1: See COMPOSITE REPAIR PARTS DRAWING.

Using a 3/8" wrench or socket, remove the four hex flanged capscrews (item 12). Remove the air valve assembly from the pump.

STEP #2: Disassembly of the air valve.

To access the internal air valve components first remove the two end cap retainers (item 1-G) by inserting a small flat screwdriver into the two slotted grooves on the valve body and gently lifting the retainers out.

Next remove the two end caps (item 1-E) by grasping the pull tab with finger and thumb or pliers and tugging. Inspect the two o-rings (items 1-C and 1-F) on each end cap for wear or cuts. Replace the o-rings if necessary.

Remove the spool (part of item 1-B) from the sleeve. Be careful not to scratch or damage the outer diameter of the spool. Wipe spool with a soft clean cloth and inspect for scratches or abrasive wear.

Inspect the inner diameter of the sleeve (part of item 1-B) for dirt, scratches, or other contaminants. Remove the sleeve if needed and replace with a new sleeve and spool set (item 1-B). **Note:** The sleeve and spool set is match-ground to a specified clearance. Sleeves and spools cannot be interchanged.

STEP #3: Reassembly of the air distribution valve.

Install one end cap with o-rings (items 1-E, 1-C, and 1-F) into one end of the air valve body (item 1-A). Insert one end cap retainer (item 1-G) into the two smaller holes, align with groove in the end cap, and push until the closed end of the retainer is below the flat surface of the valve body.

Remove the new sleeve and spool set (item 1-B) from the plastic bag.

Carefully remove the spool from the sleeve. Install the six o-rings (item 1-C) into the six grooves on the sleeve. Apply a light coating of grease to the o-rings before installing the sleeve into the valve body. Align the slots in the sleeve with the slots in the valve body. Insert the spool into the sleeve. Be careful not to scratch or damage the spool during installation. Push the spool in until the pin touches the end cap on the opposite end.

Install the remaining end cap with o-rings and retainer.

Fasten the air valve assembly (item 1) and gasket (item 23) to the pump, using the four hex flanged capscrews (item 12).

Connect the compressed air line to the pump. The pump is now ready for operation.

IMPORTANT: Remove the safety clip. The pump will not function properly until it is removed. The pump is now ready for operation.



SANDPIPER
A WARREN RUPP, INC. BRAND

SANDPIPERPUMP.COM


s07nmdl1sm-rev1222

Tel: 866-777-6060
Fax: 866-777-6383
Int'l: +001 267 404 2910

Springer Pumps, LLC
Springer Parts®

Websites: www.springerpumps.com
www.springerparts.com

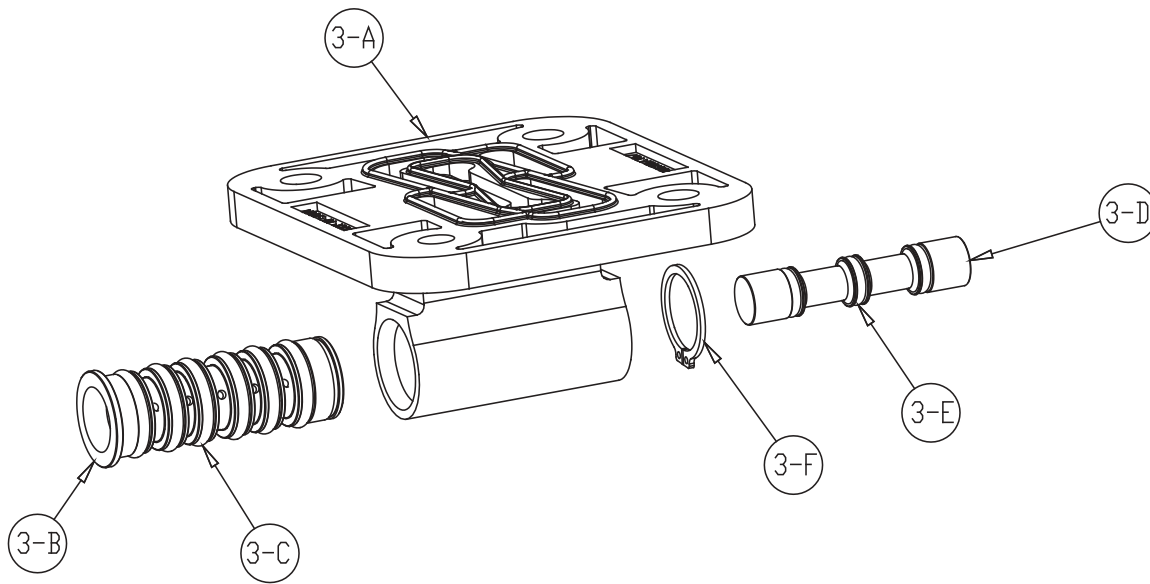
Model S07 Non-Metallic • 19



! IMPORTANT

Read these instructions completely, before installation and start-up. It is the responsibility of the purchaser to retain this manual for reference. Failure to comply with the recommendations stated in this manual will damage the pump, and void factory warranty.

Pilot Valve Assembly



PILOT VALVE ASSEMBLY PARTS LIST

ITEM	PART NUMBER	DESCRIPTION	QTY
3	095-091-000	Pilot Valve Assembly	1
3-A	095-087-551	Valve Body	1
3-B	755-051-000	Sleeve (With O-rings)	1
3-C	560-033-360	O-ring (Sleeve)	6
3-D	775-055-000	Spool (With O-rings)	1
3-E	560-023-360	O-ring (Spool)	3
3-F	675-037-080	Retaining Ring	1

4: AIR END

PILOT VALVE SERVICING

To service the pilot valve first shut off the compressed air supply, bleed the pressure from the pump, and disconnect the air supply line from the pump.

STEP #1: See pump assembly drawing.

Using a 7/16" wrench or socket, remove the four capscrews (item 12). Remove the air inlet cap (item 8) and air inlet gasket (item 18). The pilot valve assembly (item 3) can now be removed for inspection and service.

STEP #2: Disassembly of the pilot valve.

Remove the pilot valve spool (item 3-D). Wipe clean and inspect spool and o-rings for dirt, cuts or wear. Replace the o-rings and spool if necessary.

Remove the retaining ring (item 3-F) from the end of the sleeve (item 3-b) and remove the sleeve from the valve body (item 3-A). Wipe clean and inspect sleeve and o-rings for dirt, cuts or wear. Replace the o-rings and sleeve if necessary.

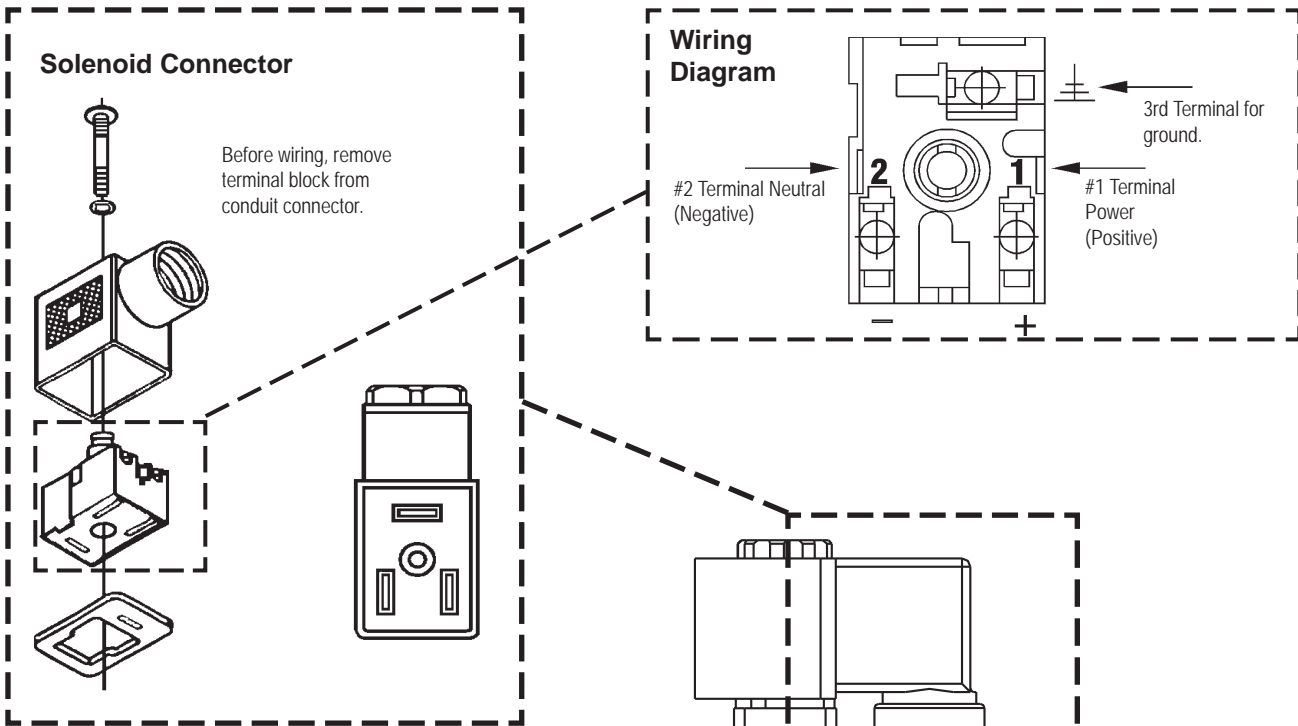
STEP #3: Re-assembly of the pilot valve.

Generously lubricate outside diameter of the sleeve and o-rings. Then carefully insert sleeve into valve body. Take CAUTION when inserting sleeve, not to shear any o-rings. Install retaining ring to sleeve. Generously lubricate outside diameter of spool and o-rings. Then carefully insert spool into sleeve. Take CAUTION when inserting spool, not to shear any o-rings. Use BP-LS-EP-2 multipurpose grease, or equivalent.

STEP #4: Re-install the pilot valve assembly into the intermediate.

Be careful to align the ends of the pilot valve stem between the plunger pins when inserting the pilot valve into the cavity of the intermediate.

Re-install the gasket, air inlet cap and capscrews. Connect the air supply to the pump. The pump is now ready for operation.



SOLENOID SHIFTED AIR DISTRIBUTION VALVE OPTION

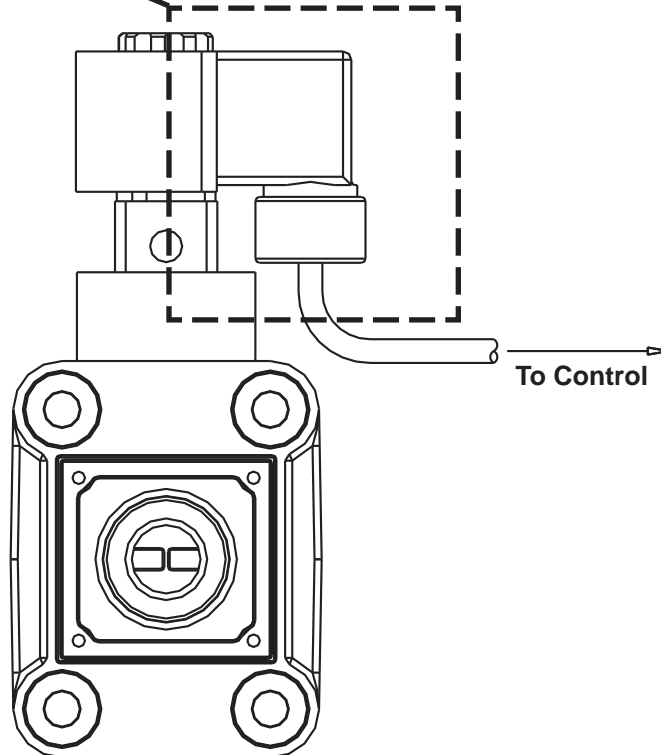
Warren Rupp's solenoid shifted, air distribution valve option utilizes electrical signals to precisely control your SANDPIPER's speed. The solenoid coil is connected to a customer - supplied control. Compressed air provides the pumping power, while electrical signals control pump speed (pumping rate).

OPERATION

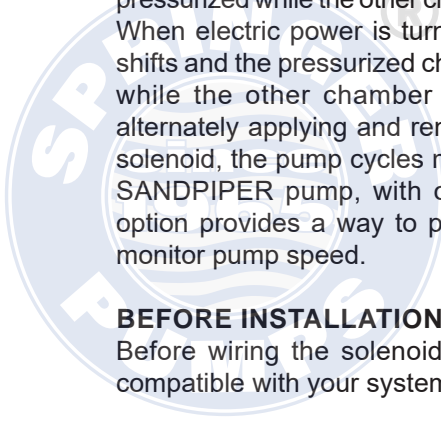
The Solenoid Shifted SANDPIPER has a solenoid operated, air distribution valve in place of the standard SANDPIPER's pilot operated, air distribution valve. Where a pilot valve is normally utilized to cycle the pump's air distribution valve, an electric solenoid is utilized. As the solenoid is powered, one of the pump's air chambers is pressurized while the other chamber is exhausted. When electric power is turned off, the solenoid shifts and the pressurized chamber is exhausted while the other chamber is pressurized. By alternately applying and removing power to the solenoid, the pump cycles much like a standard SANDPIPER pump, with one exception. This option provides a way to precisely control and monitor pump speed.

BEFORE INSTALLATION

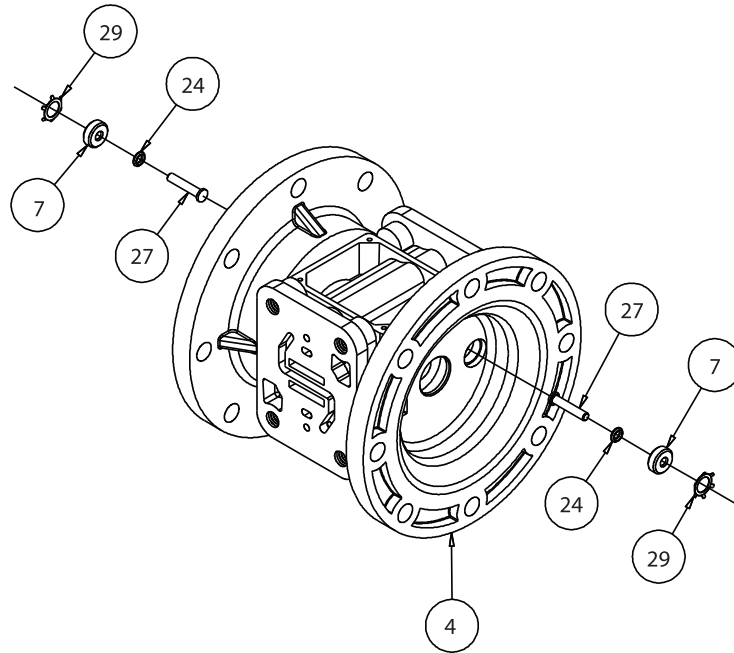
Before wiring the solenoid, make certain it is compatible with your system voltage.



4: AIR END



Intermediate Assembly



4: AIR END

Step #1: See PUMP ASSEMBLY DRAWING.

Using a 3/8" wrench or socket, remove the four capscrews (items 12). Remove the air inlet cap (item 8) and air inlet gasket (item 20). The pilot valve assembly (item 3) can now be removed.

Step #2: Servicing the actuator plungers. See PUMP ASSEMBLY DRAWING.

The actuator plungers (items 27) can be reached through the stem cavity of the pilot valve in the intermediate bracket (item 4). To service bushings, o-rings and retaining rings, see Intermediate Drawing.

Remove the plungers (items 27) from the bushings (item 7) in each end of the intermediate cavity. Inspect for wear or damage. Replace plunger as needed. Apply a light coating of grease to each o-ring and re-install the plungers in to the bushings. Push the plungers in as far as they will go.

Step #3: Re-install the pilot valve assembly into the intermediate assembly.

Be careful to align the ends of the stem between the plungers when inserting the stem of the pilot valve into the cavity of the intermediate. Re-install the gasket (item 20) air inlet cap (item 8) and capscrews (items 12).

Connect the air supply to the pump. The pump is now ready for operation.

PLUNGER BUSHING, O-RING, AND RETAINING RING SERVICING

To service the plunger bushing components first remove the two retaining rings (items 29) using a small flat screwdriver. *Note: It is recommended that new retaining rings be installed.

Next remove the two plunger bushings (items 7). Inspect the bushings for wear or scratches. Replace the bushings as necessary.


Inspect the two o-rings (24) for cuts and/or wear.

INTERMEDIATE ASSEMBLY REPAIR PARTS LIST

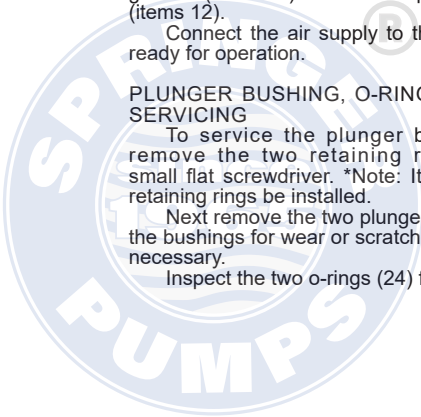
ITEM	PART NUMBER	DESCRIPTION	QTY
4	114.023.551	Bracket, Intermediate	1
7	135.036.506	Bushing, Plunger	2
24	560.001.360	O-Ring	2
27	620.019.115	Plunger, Actuator	2
29	675.042.115	Ring, Retaining*	2

***NOTE:** It is recommended that when plunger components are serviced, new retaining rings be installed.

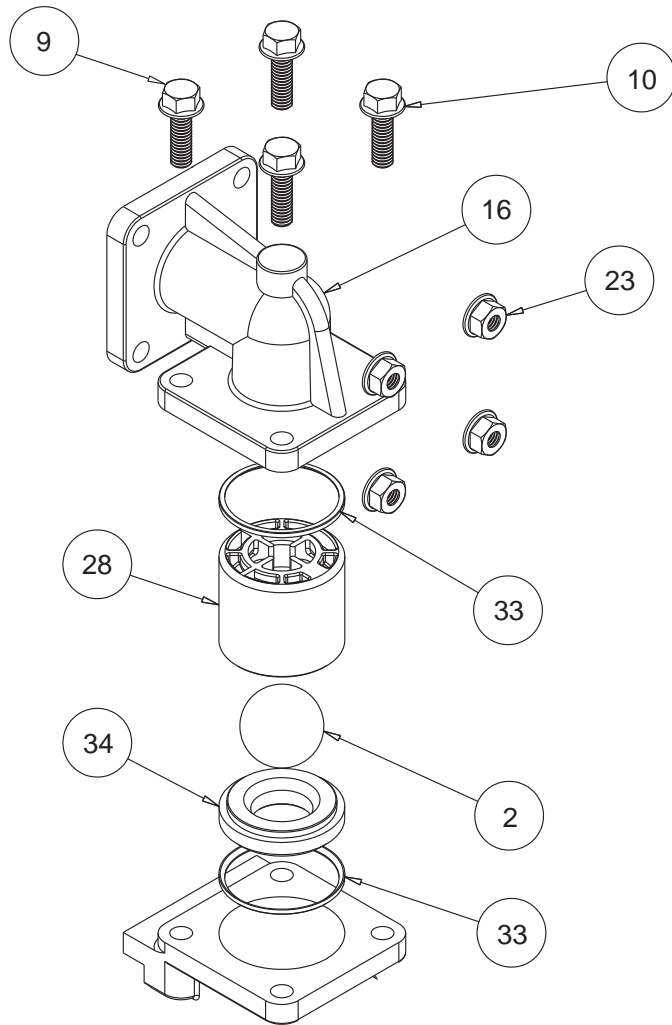
! IMPORTANT



When the pumped product source is at a higher level than the pump (flooded suction condition), pipe the exhaust higher than the product source to prevent siphoning spills. In the event of a diaphragm failure a complete rebuild of the center section is recommended.



Modular Check Ball Valve Drawing



MODULAR CHECK BALL VALVE SERVICING

Before servicing the check valves, first shut off the suction line and then the discharge line to the pump. Next, shut off the compressed air supply, bleed air pressure from the pump, and disconnect the air supply line from the pump. Drain any remaining fluid from the pump. The pump can now be removed for service.

To access the modular check valve, remove the elbows (items 16 from pump composite repair parts drawing). Use a 1/2" wrench or socket to remove the fasteners. Once the elbows are removed, the modular check valves can be seen in the cavities of the outer chamber (items 13).

Next remove the check valve seal (item 33). Inspect the seal for cuts or pinched areas. Replace seal as needed.

Disassemble the component parts of each modular check valve. Inspect the check valve retainer (item 28) for cuts, abrasive wear, or embedded materials. Replace as needed.


Inspect the check balls (items 2) for wear, abrasion, or cuts on the spherical surface. The check valve seats (items 34) should be inspected for cuts, abrasive wear, or embedded material on the surfaces of both the external and internal chambers. The spherical surface of the check balls must seat flush to the surface of the inner chamfer on the check valve seats for the pump to operate to peak efficiency. Replace any worn or damaged parts as necessary.

Remove the check valve seal (item 33). Inspect the seal for cuts or pinched areas. Replace seal as needed.

RE-ASSEMBLE THE MODULAR CHECK VALVES.

Place a check valve seal (item 33) into the cavity of the outer chamber (item 13). Make sure the chamfer side of the seal faces out. Insert the modular check valve into the outer chamber with the retainer facing up. Install a check valve seal (item 33). Make sure the chamfer side of the seals face the chamfer on the check valve seat or retainer.

The pump can now be reassembled, reconnected and returned to operation.

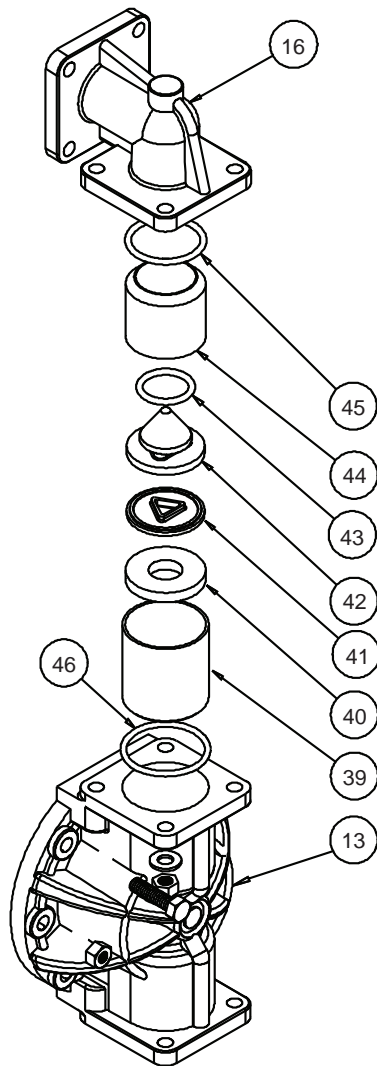


⚠ IMPORTANT

Read these instructions completely, before installation and start-up. It is the responsibility of the purchaser to retain this manual for reference. Failure to comply with the recommendations stated in this manual will damage the pump, and void factory warranty.

Modular Trihedral Check Valve Option Drawing

4: AIR END



The following parts are not used:

ITEM	PART NUMBER	DESCRIPTION	QTY
2	050.028.354	Ball, Check	4
28	670.050.552	Retainer, Ball	4
34	722.081.552	Seat, Check Valve	4
33	720.051.600	Seat, Check Valve	8

These parts are used in place of the parts listed above:

39	430.048.552	Retainer, Housing	4
40	132.019.360	Bumper, Trihedral Valve	4
	132.019.363	Bumper, Trihedral Valve	4
41	449.005.551	Insert, Trihedral Valve	4
42	888.001.360	Valve, Trihedral	4
	888.001.363	Valve, Trihedral	4
43	560.025.360	O-Ring	4
	560.025.363	O-Ring	4
44	755.035.552	Sleeve, Trihedral Valve	4
45	560.014.360	O-Ring	4
	560.014.363	O-Ring	4
46	560.075.360	O-Ring	4
	560.075.363	O-Ring	4



MODULAR TRIHEDRAL CHECK VALVE SERVICING

Before servicing the trihedral valves, first shut off the suction line and then the discharge line to the pump. Next, shut off the compressed air supply, bleed air pressure from the pump, and disconnect the air supply line from the pump. Drain any remaining fluid from the pump. The pump can now be removed for service.

To access the modular trihedral valve, remove the elbows (items 16 from the pump composite repair parts drawing). Use a 1/2" wrench or socket to remove the fasteners. Once the elbows have been removed, the modular trihedral valves can be seen in the cavities of the outer chamber (items 13).

Next remove the o-rings (items 45 and 46). Inspect the o-rings for cuts, or pinched areas. Replace the o-rings as needed.

Disassemble the modular trihedral valves. Insert a finger through the hole in the bottom of each retainer housing (item 39) and push the remaining valve components out the top of the housing. Inspect the chamfers on the retainer housing for cuts, abrasive wear or embedded material. Replace the bushings as needed.

Remove the sealing bumper (item 40) from the trihedral valve sleeves (item 44). Inspect the bumper seals for cuts, abrasive wear, or embedded material. Replace the bumper seals as needed.

The trihedral valves (item 42) and valve inserts (item 41) can now be removed. Separate the valve insert from the elastomeric trihedral valve and inspect for cuts, abrasive wear, or embedded material. Replace the inserts as needed.

Inspect the trihedral valves for cuts, abrasive wear, or embedded material. Replace the trihedral valves as needed.

RE-ASSEMBLE THE VALVES

Install the trihedral valve inserts into the trihedral valves. Push the assembled trihedral valves into the valve sleeves until they stop on the counter bore in the sleeves. Next insert the bumper seals into the sleeves.

Install the assembled valves, sleeves and bumper seals into the retainer housings with the bumper seals facing the bottom of the housing.

SUCTION END VALVES

Install an o-ring (item 45) into the groove created between the sleeve and the housing and insert the assembly into the counterbore on the suction end (bottom) of each outer chamber. Align an o-ring (item 46) with the chamfers on the retainer housings and counterbores of each chamber and install the suction elbows.

DISCHARGE END VALVES

Install an o-ring (item 46) into the counterbore on the discharge end (top) of each outer chamber.

Insert the assembled housing, bottom end down, until the exterior chamfer touches the installed o-ring.

Install an o-ring (item 45) into the groove created between the sleeve and the housing.

Fasten the discharge elbows to the outer chamber.

The pump can now be reassembled, reconnected, and returned to operation.



SANDPIPER
A WARREN RUPP, INC. BRAND

SANDPIPERPUMP.COM


s07nmdl1sm-rev1222

Model S07 Non-Metallic • 25

Tel: 866-777-6060
Fax: 866-777-6383
Int'l: +001 267 404 2910

Springer Pumps, LLC
Springer Parts®

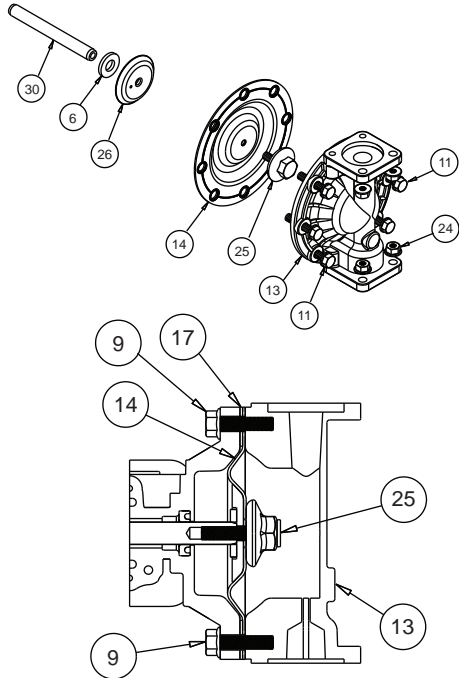
Websites: www.springerpumps.com
www.springerparts.com



! IMPORTANT

Read these instructions completely, before installation and start-up. It is the responsibility of the purchaser to retain this manual for reference. Failure to comply with the recommendations stated in this manual will damage the pump, and void factory warranty.

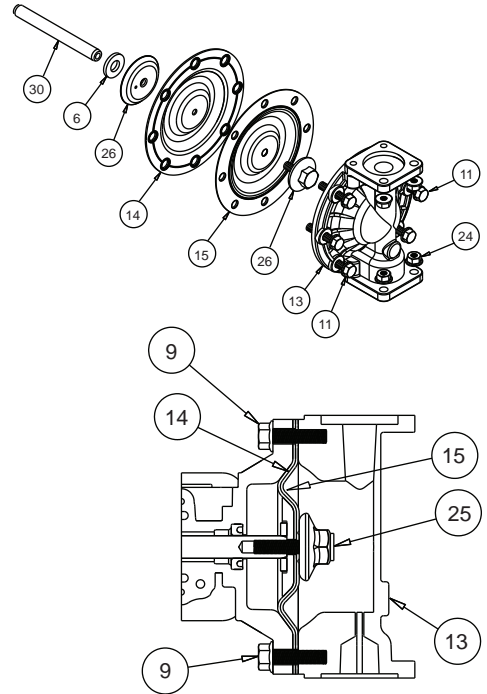
Diaphragm Service Drawing



Diaphragm Orientation

Install diaphragm and spacer as shown above.

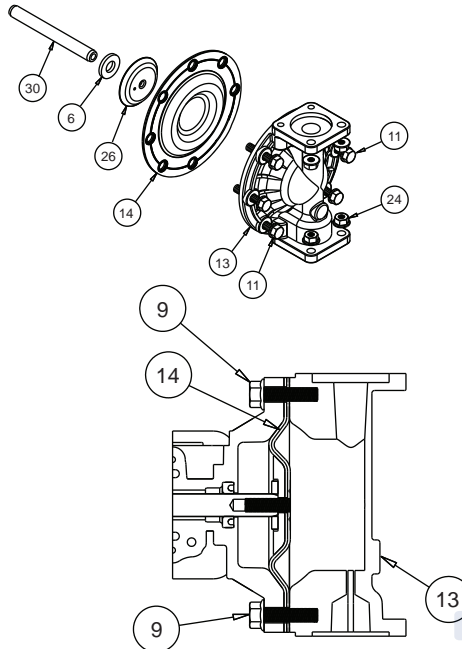
Diaphragm Service Drawing, with Overlay



Diaphragm Orientation

Install diaphragm and overlay as shown above.

Diaphragm Service Drawing with One-Piece Bonded



Diaphragm Orientation

Install diaphragm (286-116-000 only) as shown above.

5: WET END



Diaphragm Servicing

To service the diaphragms first shut off the suction, then shut off the discharge lines to the pump. Shut off the compressed air supply, bleed the pressure from the pump, and disconnect the air supply line from the pump. Drain any remaining liquid from the pump.

Step #1: See the pump composite repair parts drawing, and the diaphragm servicing illustration.

Using a 1/2" wrench or socket, remove the 16 capscrews (items 9 & 10), and nuts that fasten the elbows (items 16) to the outer chambers (items 13). Remove the elbows with the manifolds and spacers attached.

Step #2: Removing the outer chambers.

Using a 1/2" wrench or socket, remove the 16 capscrews (items 9 and 11), and nuts that fasten the outer chambers, diaphragms, and intermediate bracket (item 4) together.

Step #3: Removing the diaphragm assemblies.

Use a 3/4" wrench or six pointed socket to remove the diaphragm assemblies (outer plate, diaphragm, and inner plate) from the diaphragm rod (item 30) by turning counterclockwise.

Insert a 6-32 set screw into the smaller tapped hole in the inner diaphragm plate (item 26). Insert the protruding stud and the 6-32 fastener loosely into a vise. Use a 3/4" wrench or socket to remove the outer diaphragm plate (item 25) by turning counterclockwise. Inspect the diaphragm (item 14) for cuts, punctures, abrasive wear or chemical attack. Replace the diaphragms if necessary.

Step #4: Installing the diaphragms.

Push the threaded stud of the outer diaphragm plate through the center hole of the diaphragm. Thread the inner plate clockwise onto the stud. Use a torque wrench to tighten the diaphragm assembly together to 90 in lbs. (10.17 Newton meters) 120 in lbs Santoprene (13.56 Newton meters). Allow a minimum of 15 minutes to elapse after

torquing, then re-torque the assembly to compensate for stress relaxation in the clamped assembly.

Step #5: Installing the diaphragm assemblies to the pump.

Make sure the bumper (item 6) is installed over the diaphragm rod.

Thread the stud of the one diaphragm assembly clockwise into the tapped hole at the end of the diaphragm rod (item 30) until the inner diaphragm plate is flush to the end of the rod. Insert rod into pump.

Align the bolt holes in the diaphragm with the bolt pattern in the intermediate bracket (item 4). Make sure the molded directional arrows on the diaphragm point vertically.

Fasten the outer chamber (item 13) to the pump, using the capscrews (items 9 & 11), hex nuts and flat washers.

On the opposite side of the pump, pull the diaphragm rod out as far as possible. Make sure the bumper (item 6) is installed over the diaphragm rod.

Thread the stud of the remaining diaphragm assembly clockwise into the tapped hole at the end of the diaphragm rod (item 30) as far as possible and still allow for alignment of the bolt holes in the diaphragm with the bolt pattern in the inner chamber. The molded directional arrows on the diaphragm must point vertically.

Fasten the remaining outer chamber (item 13) to the pump, using the capscrews (items 9 and 11) and hex nuts.

Step #6: Re-install the elbow/spacer/manifold assemblies to the pump, using the capscrews (items 9 & 10) and hex nuts.

The pump is now ready to be re-installed, connected and returned to operation.

OVERLAY DIAPHRAGM SERVICING

The PTFE overlay diaphragm (item 15) is designed to fit snugly over the exterior of the standard TPE diaphragm (item 14).

The molded directional arrows on the overlay diaphragm must point vertically.

Follow the same procedures described for the standard diaphragm for removal and installation.

Follow the same procedures described for the standard diaphragm for removal and installation. **Note:** The One-Piece Bonded diaphragm is installed in the direction as shown in the lower right illustration above.

ONE PIECE DIAPHRAGM SERVICING (Bonded PTFE with integral plate)


The One Piece diaphragm has a threaded stud installed in the integral plate at the factory. The inner diaphragm plate has a through hole instead of a threaded hole.

Place the inner plate over the diaphragm stud and thread the first diaphragm / inner plate onto the diaphragm rod only until the inner plate contacts the rod. Do not tighten.

A small amount of grease may be applied between the inner plate and the diaphragm to facilitate assembly.

Insert the diaphragm / rod assembly into the pump and install the outer chamber. Turn the pump over and thread the second diaphragm / inner plate onto the diaphragm rod. Turn the diaphragm until the inner plate contacts the rod and hand tighten the assembly. Continue tightening until the bolt holes align with the inner chamber holes. **DO NOT LEAVE THE ASSEMBLY LOOSE.**

! IMPORTANT

 Read these instructions completely, before installation and start-up. It is the responsibility of the purchaser to retain this manual for reference. Failure to comply with the recommendations stated in this manual will damage the pump, and void factory warranty.

Dual Port Option Drawing

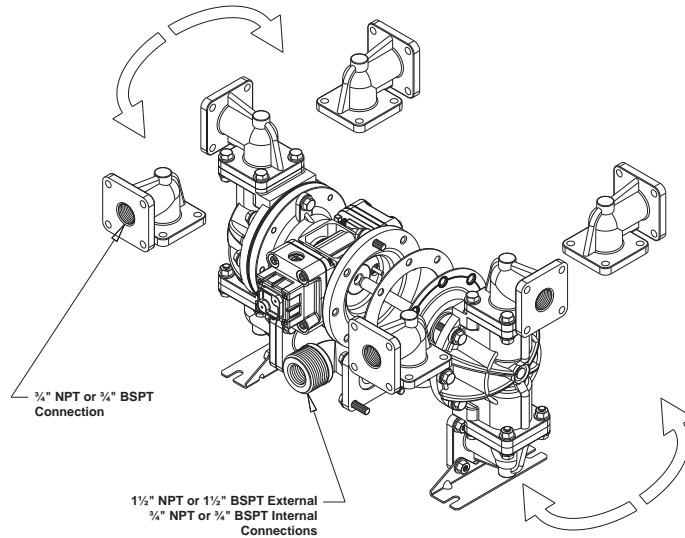


Illustration for Single Port Suction with Dual Port Discharge

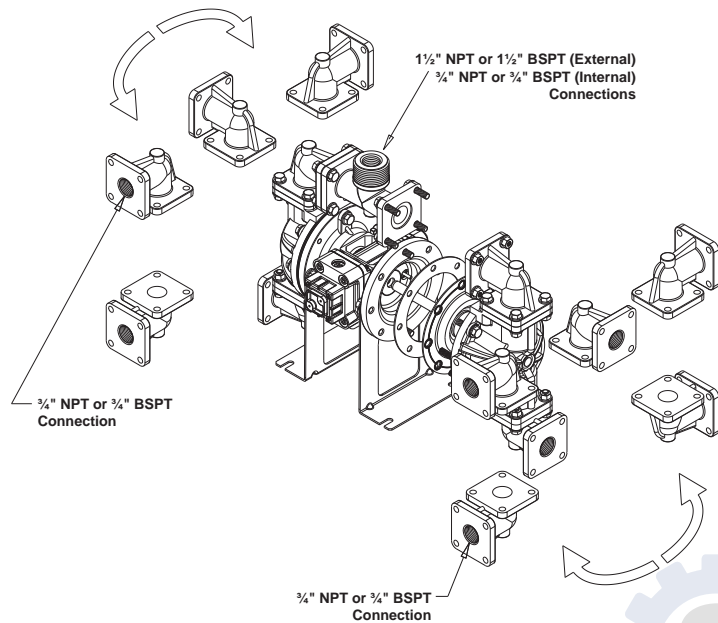


Illustration for Dual Port Suction and Single or Dual Port Discharge

6: OPTIONAL



Dual Port Option Drawing

DUAL PORTING OPTIONS

Several dual porting options are possible. The pump can be converted to a dual port arrangement on both the suction and the discharge ends. The porting can be configured to a single suction and a dual discharge. The porting can be changed to a dual suction and a single discharge.

The above changes are possible because the porting flange of the elbows (items 17) are designed to mate with 3/4" NPT or 3/4" BSPT (tapered) connection.

DUAL PORTING OF BOTH SUCTION AND DISCHARGE ENDS OF THE PUMP

Converting the pump from the standard single suction and discharge porting configuration to dual porting at each end is easy. Simply remove the manifold seals and manifold (items 33 and 22 from pump assembly drawing) from the pump.

The discharge elbows and suction elbows can be rotated 90° increments (see arrows and optional positioning in the Dual Porting Drawing).

SINGLE PORTING OF THE SUCTION AND DUAL PORTING OF THE PUMP DISCHARGE

To convert the pump from the standard single suction and single discharge porting configuration to a dual suction porting arrangement remove the only the discharge manifolds and manifold seals. Position the discharge at 90° increments. (See arrows and optional positioning in the Dual Porting Drawing).

DUAL PORTING OF THE SUCTION AND DUAL PORTING OF THE PUMP DISCHARGE

To convert the pump from the standard single suction and single discharge porting configuration to a dual suction porting arrangement remove the only the suction (bottom) manifolds and manifold seals.

Position the suction elbows in the desired direction at 90° increments. (See arrows and optional positioning in the Dual Porting Drawing.)

NOTE: See Repair Parts List on next page.



! IMPORTANT

Read these instructions completely, before installation and start-up. It is the responsibility of the purchaser to retain this manual for reference. Failure to comply with the recommendations stated in this manual will damage the pump, and void factory warranty.



SINGLE PORT SUCTION REPAIR PARTS LIST

ITEM	PART NUMBER	DESCRIPTION	QTY
10*	171.063.115	Capscrew, Flanged 5/16-18 x 1.25	16
	171.063.308	Capscrew, Flanged 5/16-18 x 1.25	16
16*	312.107.502E	Elbow, 3/4" BSPT (replaces 312.107.502)	1
	312.107.502N	Elbow, 3/4" NPT (replaces 312.107.502)	1
	312.107.520E	Elbow, 3/4" BSPT (replaces 312.107.520)	1
	312.107.520N	Elbow, 3/4" NPT (replaces 312.107.520)	1
	312.107.542E	Elbow, 3/4" BSPT (replaces 312.107.542)	1
	312.107.542N	Elbow, 3/4" NPT (replaces 312.107.542)	1
	312.107.552E	Elbow, 3/4" BSPT (replaces 312.107.552)	1
	312.107.552N	Elbow, 3/4" NPT (replaces 312.107.552)	1
21*	518.139.502	Manifold (installed in bottom position) NPT	1
	518.139.502E	Manifold (installed in bottom position) BSPT	1
	518.139.520	Manifold (installed in bottom position) NPT	1
	518.139.520E	Manifold (installed in bottom position) BSPT	1
	518.139.542	Manifold (installed in bottom position) NPT	1
	518.139.542E	Manifold (installed in bottom position) BSPT	1
	518.139.552	Manifold (installed in bottom position) NPT	1
	518.139.552E	Manifold (installed in bottom position) BSPT	1
23*	544.005.115	Nut, Flanged 5/16-18	16
	544.005.308	Nut, Flanged 5/16-18	16

SINGLE PORT DISCHARGE REPAIR PARTS LIST

ITEM	PART NUMBER	DESCRIPTION	QTY
10*	171.063.115	Capscrew, Flanged 5/16-18 x 1.25	16
	171.063.308	Capscrew, Flanged 5/16-18 x 1.25	16
11*	171.064.115	Capscrew, Flanged 5/16-18 x 1.50	4
	171.064.308	Capscrew, Flanged 5/16-18 x 1.50	4
16*	312.107.502E	Elbow, 3/4" BSPT (replaces 312.107.502)	1
	312.107.502N	Elbow, 3/4" NPT (replaces 312.107.502)	1
	312.107.520E	Elbow, 3/4" BSPT (replaces 312.107.520)	1
	312.107.520N	Elbow, 3/4" NPT (replaces 312.107.520)	1
	312.107.542E	Elbow, 3/4" BSPT (replaces 312.107.542)	1
	312.107.542N	Elbow, 3/4" NPT (replaces 312.107.542)	1
	312.107.552E	Elbow, 3/4" BSPT (replaces 312.107.552)	1
	312.107.552N	Elbow, 3/4" NPT (replaces 312.107.552)	1
21*	518.139.502	Manifold (installed in bottom position) NPT	1
	518.139.502E	Manifold (installed in bottom position) BSPT	1
23*	544.005.115	Nut, Flanged 5/16-18	28
	544.005.308	Nut, Flanged 5/16-18	28
	518.139.520	Manifold (installed in bottom position) NPT	1
	518.139.520E	Manifold (installed in bottom position) BSPT	1
	518.139.542	Manifold (installed in bottom position) NPT	1
	518.139.542E	Manifold (installed in bottom position) BSPT	1
	518.139.552	Manifold (installed in bottom position) NPT	1
	518.139.552E	Manifold (installed in bottom position) BSPT	1

ITEM	PART NUMBER	DESCRIPTION	QTY
37	115.143.080	Bracket, Free Standing (replaces 115.141.115)	2
	115.143.305	Bracket, Free Standing (replaces 115.141.115)	2
	115.143.306	Bracket, Free Standing (replaces 115.141.115)	2
38	171.068.115	Capscrew, Flanged 5/16-18 x 1.63	8
	171.068.308	Capscrew, Flanged 5/16-18 x 1.63	8

ITEM	PART NUMBER	DESCRIPTION	QTY
10*	171.063.115	Capscrew, Flanged 5/16-18 x 1.25	8
	171.063.308	Capscrew, Flanged 5/16-18 x 1.25	8
11*	171.064.115	Capscrew, Flanged 5/16-18 x 1.50	4
	171.064.308	Capscrew, Flanged 5/16-18 x 1.50	4
16*	312.107.502E	Elbow, 3/4" BSPT (replaces 312.107.502)	4
	312.107.502N	Elbow, 3/4" NPT (replaces 312.107.502)	4
	312.107.520E	Elbow, 3/4" BSPT (replaces 312.107.520)	4
	312.107.520N	Elbow, 3/4" NPT (replaces 312.107.520)	4
	312.107.542E	Elbow, 3/4" BSPT (replaces 312.107.542)	4
	312.107.542N	Elbow, 3/4" NPT (replaces 312.107.542)	4
	312.107.552E	Elbow, 3/4" BSPT (replaces 312.107.552)	4
	312.107.552N	Elbow, 3/4" NPT (replaces 312.107.552)	4
21*	518.139.502	Manifold (none required)	
	518.139.502E	Manifold (none required)	
	518.139.520	Manifold (none required)	
	518.139.520E	Manifold (none required)	
	518.139.542	Manifold (none required)	
	518.139.542E	Manifold (none required)	
	518.139.552	Manifold (none required)	
	518.139.552E	Manifold (none required)	
23*	544.005.115	Nut, Flanged 5/16-18	20
	544.005.308	Nut, Flanged 5/16-18	20
37	115.143.080	Bracket, Free Standing (replaces 115.141.115)	2
	115.143.305	Bracket, Free Standing (replaces 115.141.115)	2
	115.143.306	Bracket, Free Standing (replaces 115.141.115)	2
38	171.068.115	Capscrew, Flanged 5/16-18 x 1.63	8
	171.068.308	Capscrew, Flanged 5/16-18 x 1.63	8

*Quantities change from Composite Repair Parts List.

30 • Model S07 Non-Metallic

SANDPIPERPUMP.COM

SANDPIPER
A WARREN RUPP, INC. BRAND

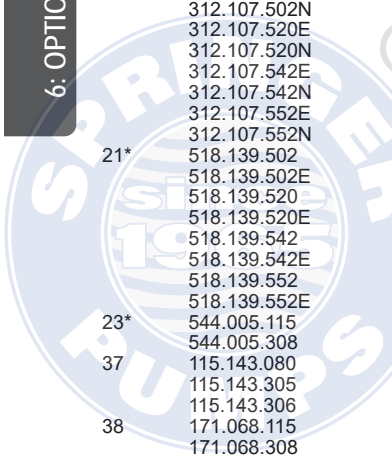
s07nmdl1sm-rev1222

Tel: 866-777-6060
Fax: 866-777-6383
Int'l: +001 267 404 2910

Springer Pumps, LLC
Springer Parts®

Websites: www.springerpumps.com
www.springerparts.com

6: OPTIONAL



PUMPING HAZARDOUS LIQUIDS

When a diaphragm fails, the pumped liquid or fumes enter the air end of the pump. Fumes are exhausted into the surrounding environment. When pumping hazardous or toxic materials, the exhaust air must be piped to an appropriate area for safe disposal. See illustration #1 at right.

This pump can be submerged if the pump materials of construction are compatible with the liquid being pumped. The air exhaust must be piped above the liquid level. See illustration #2 at right. Piping used for the air exhaust must not be smaller than 1/2" (1.27 cm) diameter. Reducing the pipe size will restrict air flow and reduce pump performance. When the pumped product source is at a higher level than the pump (flooded suction condition), pipe the exhaust higher than the product source to prevent siphoning spills. See illustration #3 at right.

CONVERTING THE PUMP FOR PIPING THE EXHAUST AIR

The following steps are necessary to convert the pump to pipe the exhaust air away from the pump.

Use a Phillips screwdriver to remove the four self-tapping screws (item 1-H).

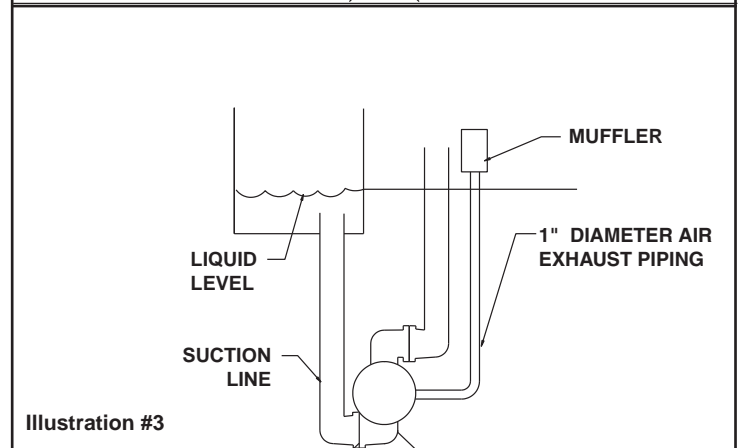
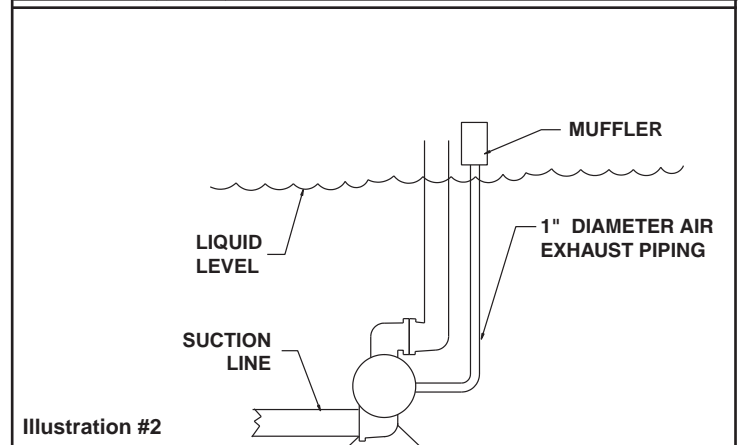
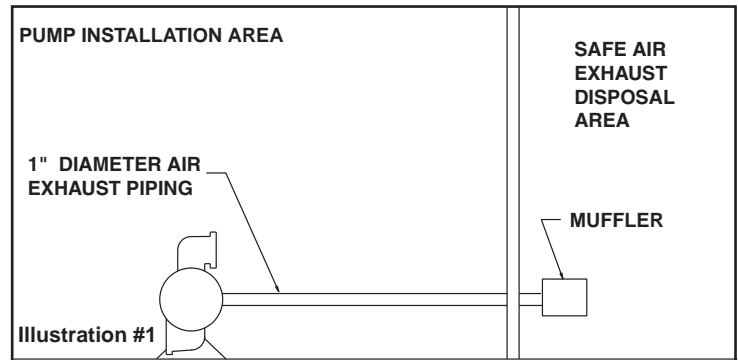
Remove the muffler cap and muffler (items 1-G and 1-F). The 3/8" NPT molded threads in the air distribution valve body (item 1-A).

IMPORTANT INSTALLATION NOTE:

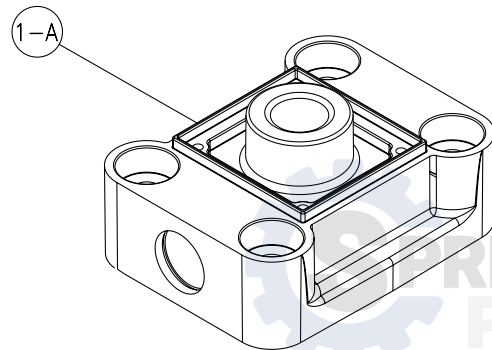
The manufacturer recommends installing a flexible hose or connection between the pump and any rigid plumbing. This reduces stresses on the molded plastic threads of the air exhaust port. Failure to do so may result in damage to the air distribution valve body.

Any piping or hose connected to the pump's air exhaust port must be physically supported. Failure to support these connections could also result in damage to the air distribution valve body.

CONVERTED EXHAUST ILLUSTRATION



Exhaust Conversion Drawing

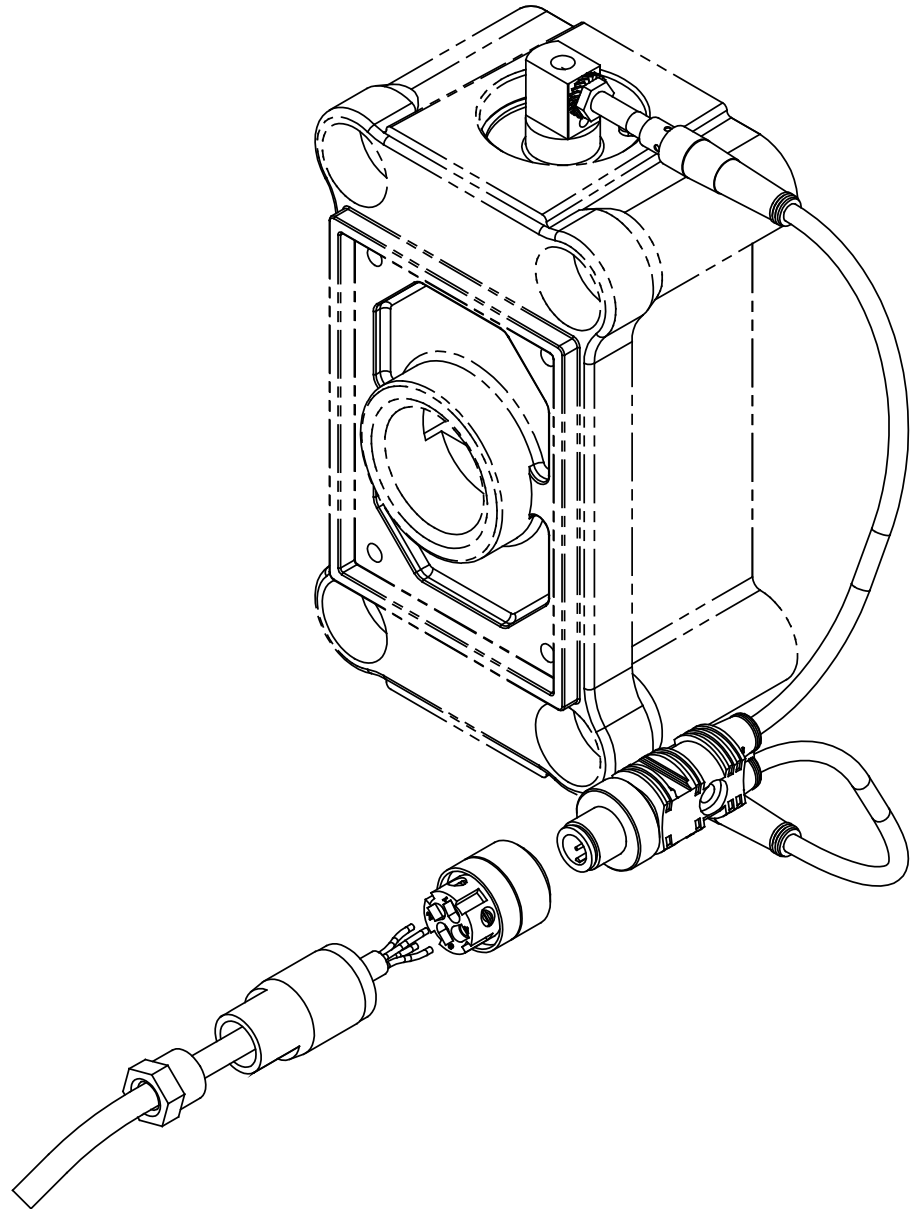


Pulse Output Kit Drawing

PULSE OUTPUT KIT OPTION

This pump can be fitted with a Pulse Output Kit. This converts the mechanical strokes of the pump to an electrical signal which interfaces with the Stroke Counter/ Batch Controller or user control devices such as a PLC.

See the individual kits listed on the Pump Repair Parts List for further information.



6: OPTIONAL



5 - YEAR Limited Product Warranty

Warren Rupp, Inc. ("Warren Rupp") warrants to the original end-use purchaser that no product sold by Warren Rupp that bears a Warren Rupp brand shall fail under normal use and service due to a defect in material or workmanship within five years from the date of shipment from Warren Rupp's factory. Warren Rupp brands include Warren Rupp®, SANDPIPER®, SANDPIPER Signature Series™, MARATHON®, Porta-Pump®, SludgeMaster™ and Tranquillizer®.

The use of non-OEM replacement parts will void (or negate) agency certifications, including CE, ATEX, CSA, 3A and EC1935 compliance (Food Contact Materials). Warren Rupp, Inc. cannot ensure nor warrant non-OEM parts to meet the stringent requirements of the certifying agencies.

~ See complete warranty at <https://www.sandpiperpump.com/>



SANDPIPER®

EC Declaration of Conformity

**Manufacturer:
Warren Rupp, Inc.
800 N. Main Street
Mansfield, Ohio, 44902 USA**

Certifies that Air-Operated Double Diaphragm Pump Models: DSB Series, DMF Series, G Series, HDB Series, HDF Series, HP Series, F Series, MS Series, S Series, SL Series, SP Series, SSB Series, T Series, U1F Series, WR Series; High Pressure Pump Models: EH Series, GH Series, SH Series; Submersible Pump Models: SMA3 Series, SPA Series; and Surge Dampener/Suppressor Models: DA Series, TA Series comply with the European Community Directive 2006/42/EC on Machinery, according to Annex VIII. This product has used Harmonized Standard EN809:2012, Pumps and Pump Units for Liquids - Common Safety Requirements, to verify conformance.

October 3, 2022

DATE/APPROVAL/TITLE:

Technical File on record with:
DEKRA Certification B.V.
Meander 1051
6825 MJ Arnhem
The Netherlands



Signature of authorized person

Dennis Hall
Printed name of authorized person

Engineering Manager
Title



INEX



CE

7: WARRANTY



EC Declaration of Conformity

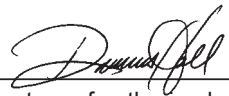
**Manufacturer:
Warren Rupp, Inc.
800 N. Main Street
Mansfield, Ohio, 44902 USA**

Certifies that Air-Operated Double Diaphragm Pump Models: DSB Series, DMF Series, G Series, HDB Series, HDF Series, HP Series, F Series, MS Series, S Series, SL Series, SP Series, SSB Series, T Series, U1F Series, WR Series; High Pressure Pump Models: EH Series, GH Series, SH Series; Submersible Pump Models: SMA3 Series, SPA Series; and Surge Dampener/Suppressor Models: DA Series, TA Series comply with the United Kingdom Statutory Instruments 2008 No. 1597, The Supply of Machinery (Safety) Regulations 2008, according to Annex VIII. This product has used Designated Standard EN809:2012, Pumps and Pump Units for Liquids - Common Safety Requirements, to verify conformance.

October 17, 2022

DATE/APPROVAL/TITLE:

Technical File on record with:
DEKRA Certification UK Limited
Stokenchurch House
Oxford Road
Stokenchurch
HP14 3SX



Signature of authorized person

Dennis Hall

Printed name of authorized person

Engineering Manager

Title

